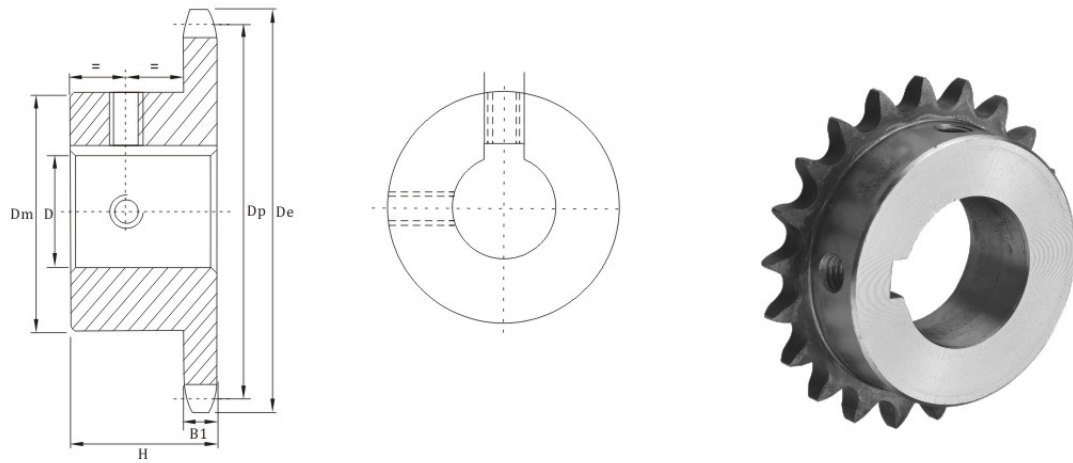


# Finished Bore Sprockets American Standard Series

No.80

◇ Pitch 1" ◇ Roller Φ 0.625" ◇ Tooth width B1 0.575"



TYPE BS

## No.80-Hardened Teeth-2 Setscrews-Bored To Size

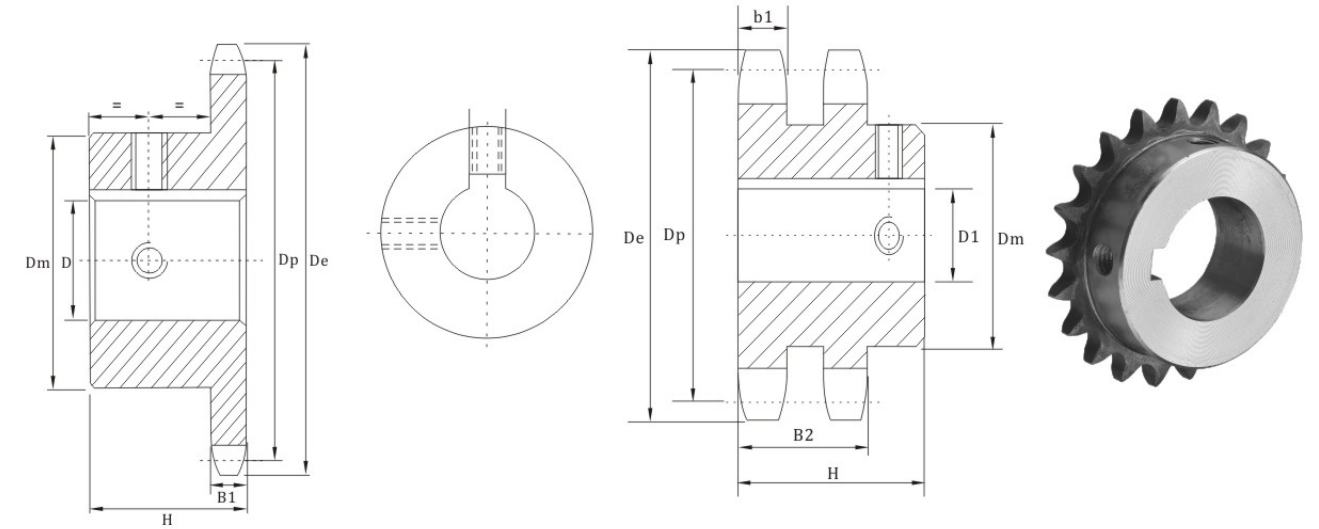
No. Teeth	Number	De	H	Weight Lbs. (Approx.)	Stock Finished Bore Includes Keyway and 2 Setscrews
9	80BS9HT	3.350	1 <sup>5</sup> / <sub>8</sub>	1.6	1 - 1 <sup>1</sup> / <sub>8</sub> - 1 <sup>3</sup> / <sub>16</sub> - 1 <sup>1</sup> / <sub>4</sub>
10	80BS10HT	3.368	1 <sup>5</sup> / <sub>8</sub>	1.7	1 - 1 <sup>1</sup> / <sub>8</sub> - 1 <sup>3</sup> / <sub>16</sub> - 1 <sup>1</sup> / <sub>4</sub>
11	80BS11HT	4.010	1 <sup>5</sup> / <sub>8</sub>	1.8	1 - 1 <sup>1</sup> / <sub>8</sub> - 1 <sup>3</sup> / <sub>16</sub> - 1 <sup>1</sup> / <sub>4</sub> - 1 <sup>3</sup> / <sub>8</sub> - 1 <sup>1</sup> / <sub>16</sub> - 1 <sup>1</sup> / <sub>2</sub> - 1 <sup>5</sup> / <sub>8</sub>
12	80BS12HT	4.330	1 <sup>5</sup> / <sub>8</sub>	3.0	1 - 1 <sup>1</sup> / <sub>8</sub> - 1 <sup>3</sup> / <sub>16</sub> - 1 <sup>1</sup> / <sub>4</sub> - 1 <sup>3</sup> / <sub>8</sub> - 1 <sup>1</sup> / <sub>16</sub> - 1 <sup>1</sup> / <sub>2</sub> - 1 <sup>5</sup> / <sub>8</sub> - 1 <sup>3</sup> / <sub>4</sub>
13	80BS13HT	4.660	1 <sup>1</sup> / <sub>2</sub>	3.5	1 - 1 <sup>1</sup> / <sub>8</sub> - 1 <sup>3</sup> / <sub>16</sub> - 1 <sup>1</sup> / <sub>4</sub> - 1 <sup>3</sup> / <sub>8</sub> - 1 <sup>1</sup> / <sub>16</sub> - 1 <sup>1</sup> / <sub>2</sub> - 1 <sup>5</sup> / <sub>8</sub> - 1 <sup>3</sup> / <sub>4</sub> - 1 <sup>7</sup> / <sub>8</sub> - 1 <sup>3</sup> / <sub>16</sub> - 2
14	80BS14HT	4.980	1 <sup>1</sup> / <sub>2</sub>	4.1	1 - 1 <sup>1</sup> / <sub>8</sub> - 1 <sup>3</sup> / <sub>16</sub> - 1 <sup>1</sup> / <sub>4</sub> - 1 <sup>3</sup> / <sub>8</sub> - 1 <sup>1</sup> / <sub>16</sub> - 1 <sup>1</sup> / <sub>2</sub> - 1 <sup>5</sup> / <sub>8</sub> - 1 <sup>3</sup> / <sub>4</sub> - 1 <sup>7</sup> / <sub>8</sub> - 1 <sup>3</sup> / <sub>16</sub> - 2
15	80BS15HT	5.300	1 <sup>1</sup> / <sub>2</sub>	5.2	1 - 1 <sup>1</sup> / <sub>8</sub> - 1 <sup>3</sup> / <sub>16</sub> - 1 <sup>1</sup> / <sub>4</sub> - 1 <sup>3</sup> / <sub>8</sub> - 1 <sup>1</sup> / <sub>16</sub> - 1 <sup>1</sup> / <sub>2</sub> - 1 <sup>5</sup> / <sub>8</sub> - 1 <sup>3</sup> / <sub>4</sub> - 1 <sup>7</sup> / <sub>8</sub> - 1 <sup>3</sup> / <sub>16</sub> - 2
16	80BS16HT	5.630	1 <sup>1</sup> / <sub>2</sub>	6.1	1 - 1 <sup>1</sup> / <sub>8</sub> - 1 <sup>3</sup> / <sub>16</sub> - 1 <sup>1</sup> / <sub>4</sub> - 1 <sup>3</sup> / <sub>8</sub> - 1 <sup>1</sup> / <sub>16</sub> - 1 <sup>1</sup> / <sub>2</sub> - 1 <sup>5</sup> / <sub>8</sub> - 1 <sup>3</sup> / <sub>4</sub> - 1 <sup>7</sup> / <sub>8</sub> - 1 <sup>3</sup> / <sub>16</sub> - 2
17	80BS17HT	5.950	1 <sup>1</sup> / <sub>2</sub>	7.0	1 - 1 <sup>1</sup> / <sub>8</sub> - 1 <sup>3</sup> / <sub>16</sub> - 1 <sup>1</sup> / <sub>4</sub> - 1 <sup>3</sup> / <sub>8</sub> - 1 <sup>1</sup> / <sub>16</sub> - 1 <sup>1</sup> / <sub>2</sub> - 1 <sup>5</sup> / <sub>8</sub> - 1 <sup>3</sup> / <sub>4</sub> - 1 <sup>7</sup> / <sub>8</sub> - 1 <sup>3</sup> / <sub>16</sub> - 2 - 2 <sup>7</sup> / <sub>16</sub>
18	80BS18HT	6.270	1 <sup>1</sup> / <sub>2</sub>	7.8	1 - 1 <sup>1</sup> / <sub>8</sub> - 1 <sup>3</sup> / <sub>16</sub> - 1 <sup>1</sup> / <sub>4</sub> - 1 <sup>3</sup> / <sub>8</sub> - 1 <sup>1</sup> / <sub>16</sub> - 1 <sup>1</sup> / <sub>2</sub> - 1 <sup>5</sup> / <sub>8</sub> - 1 <sup>3</sup> / <sub>4</sub> - 1 <sup>7</sup> / <sub>8</sub> - 1 <sup>3</sup> / <sub>16</sub> - 2 - 2 <sup>7</sup> / <sub>16</sub>
19	80BS19HT	6.590	1 <sup>1</sup> / <sub>2</sub>	8.3	1 - 1 <sup>1</sup> / <sub>8</sub> - 1 <sup>3</sup> / <sub>16</sub> - 1 <sup>1</sup> / <sub>4</sub> - 1 <sup>3</sup> / <sub>8</sub> - 1 <sup>1</sup> / <sub>16</sub> - 1 <sup>1</sup> / <sub>2</sub> - 1 <sup>5</sup> / <sub>8</sub> - 1 <sup>3</sup> / <sub>4</sub> - 1 <sup>7</sup> / <sub>8</sub> - 1 <sup>3</sup> / <sub>16</sub> - 2 - 2 <sup>7</sup> / <sub>16</sub>
20	80BS20HT	6.910	1 <sup>1</sup> / <sub>2</sub>	9.5	1 - 1 <sup>1</sup> / <sub>8</sub> - 1 <sup>3</sup> / <sub>16</sub> - 1 <sup>1</sup> / <sub>4</sub> - 1 <sup>3</sup> / <sub>8</sub> - 1 <sup>1</sup> / <sub>16</sub> - 1 <sup>1</sup> / <sub>2</sub> - 1 <sup>5</sup> / <sub>8</sub> - 1 <sup>3</sup> / <sub>4</sub> - 1 <sup>7</sup> / <sub>8</sub> - 1 <sup>3</sup> / <sub>16</sub> - 2 - 2 <sup>7</sup> / <sub>16</sub>

NOTE:KEYWAY IS ON CENTER LINE OF TOOTH.

# Finished Bore Sprockets American Standard Series

No.80

◇ Pitch 1" ◇ Roller Φ 0.625" ◇ Tooth width b1 0.557" ◇ Tooth width B1 0.575" ◇ Tooth width B2 1.710"



TYPE BS

TYPE BS

## Single Type BS Winch-2 Setscrews

No. Teeth	Number	De	H	Weight Lbs. (Approx.)	Stock Finished Bore Includes Keyway (see Footnote)and Screw at 90° from Keyway
10	80BS10W	3.680	1 <sup>5</sup> / <sub>8</sub>	1.7	1 <sup>1</sup> / <sub>4</sub>
11	80BS11W	4.010	1 <sup>5</sup> / <sub>8</sub>	1.8	1 <sup>1</sup> / <sub>4</sub>
12	80BS12W	4.330	1 <sup>5</sup> / <sub>8</sub>	3.0	1 <sup>1</sup> / <sub>4</sub>
15	80BS15W	5.300	1 <sup>1</sup> / <sub>2</sub>	5.2	1 <sup>1</sup> / <sub>4</sub>
18	80BS18W	6.270	1 <sup>1</sup> / <sub>2</sub>	7.8	1 <sup>1</sup> / <sub>4</sub> - 1 <sup>1</sup> / <sub>2</sub>

NOTE:KEYWAY IS ON CENTER LINE OF TOOTH.

## Double Type BS Winch(Hardened Teeth)-2 Setscrews

No. Teeth	Number	De	H	Weight Lbs. (Approx.)	Stock Finished Bore Includes Keyway (see Footnote)and Screw at 90° from Keyway
12	D80BS12W	3.680	2 <sup>1</sup> / <sub>2</sub>	5.2	1 <sup>1</sup> / <sub>4</sub> - 1 <sup>1</sup> / <sub>2</sub> - 1 <sup>3</sup> / <sub>4</sub>
15	D80BS15W	5.300	2 <sup>1</sup> / <sub>2</sub>	9.2	1 <sup>1</sup> / <sub>4</sub> - 1 <sup>1</sup> / <sub>2</sub> - 1 <sup>3</sup> / <sub>4</sub>
18	D80BS18W	6.270	2 <sup>3</sup> / <sub>4</sub>	13.5	1 <sup>1</sup> / <sub>2</sub> - 1 <sup>3</sup> / <sub>4</sub> - 2
20	D80BS20W	6.910	2 <sup>3</sup> / <sub>4</sub>	16.2	1 <sup>1</sup> / <sub>2</sub> - 1 <sup>3</sup> / <sub>4</sub> - 2
24	D80BS24W	8.200	2 <sup>3</sup> / <sub>4</sub>	23.2	1 <sup>1</sup> / <sub>2</sub> - 2

NOTE:KEYWAY IS ON CENTER LINE OF TOOTH.

Footnote:1<sup>1</sup>/<sub>4</sub>" bore has 5<sup>5</sup>/<sub>16</sub>" x 5<sup>5</sup>/<sub>32</sub>" keyway,set screw at 90° from keyway

Footnote:1<sup>1</sup>/<sub>2</sub>" bore has 3<sup>7</sup>/<sub>16</sub>" x 3<sup>7</sup>/<sub>32</sub>" keyway,set screw at 90° from keyway

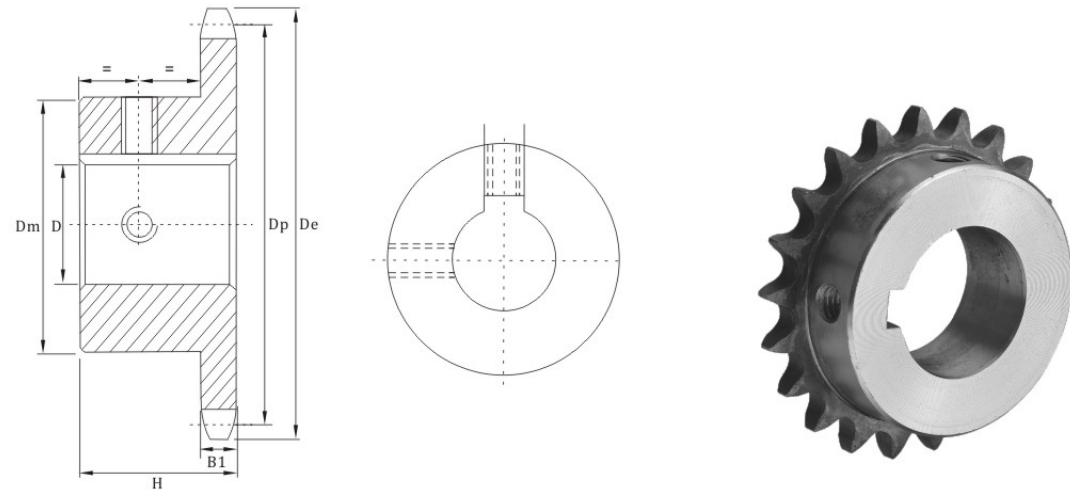
Footnote:1<sup>3</sup>/<sub>4</sub>" bore has 3<sup>7</sup>/<sub>8</sub>" x 3<sup>7</sup>/<sub>16</sub>" keyway,set screw at 90° from keyway

Footnote:2 " bore has 3<sup>7</sup>/<sub>8</sub>" x 3<sup>7</sup>/<sub>16</sub>" keyway,set screw at 90° from keyway

# Finished Bore Sprockets American Standard Series

No.100

◇Pitch 1- 1/4" ◇Roller Φ 0.750" ◇Tooth width B1 0.692"



TYPE BS

## Single-Type BS-2 Setscrews-Bored To Size

No. Teeth	Number	De	H	Weight Lbs. (Approx.)	Stock Finished Bore Includes Keyway and 2 Setscrews
8	100BS8	3.770	1 7/8	2.8	1 - 1 3/16 - 1 1/4
9	100BS9	4.180	1 7/8	3.0	1 - 1 3/16 - 1 1/4 - 1 1/16
10	100BS10	4.600	1 7/8	3.9	1 - 1 3/16 - 1 1/4 - 1 1/16
11	100BS11	5.010	1 7/8	4.9	1 - 1 3/16 - 1 1/4 - 1 1/16 - 1 15/16 - 2 - 2 3/16
12	100BS12	5.420	1 7/8	6.0	1 - 1 3/16 - 1 1/4 - 1 1/16 - 1 15/16 - 2 - 2 3/16
13	100BS13	5.820	1 7/8	6.2	- 1 3/16 - 1 1/4 - 1 1/16 - 1 15/16 - 2 - 2 3/16
14	100BS14	6.230	1 5/8	6.6	- 1 1/4 - 1 1/16 - 1 15/16 - 2 - 2 3/16
15	100BS15	6.630	1 3/4	8.4	- 1 1/4 - 1 1/16 - 1 15/16 - 2 - 2 3/16
16	100BS16	7.030	1 3/4	9.0	- 1 1/16 - 1 15/16 - 2 - 2 3/16 - 2 7/16 - 2 5/16
17	100BS17	7.440	1 3/4	9.9	- 1 1/16 - 1 15/16 - 2 - 2 3/16 - 2 7/16 - 2 5/16
18	100BS18	7.840	1 3/4	10.6	- 1 1/16 - 1 15/16 - 2 - 2 3/16 - 2 7/16 - 2 5/16
19	100BS19	8.240	2	12.1	- 1 1/16 - 1 15/16 - 2 - 2 3/16 - 2 7/16 - 2 5/16
20	100BS20	8.640	2	13.2	- 1 1/16 - 1 15/16 - 2 - 2 3/16 - 2 7/16 - 2 5/16
21	100BS21	9.040	2	14.3	- 1 1/16 - 1 15/16 - 2 - 2 3/16 - 2 7/16 - 2 5/16
22	100BS22	9.440	2	15.1	- 1 1/16 - 1 15/16 - 2 - 2 3/16 - 2 7/16 - 2 5/16
23	100BS23	9.840	2	16.1	- 1 1/16 - 1 15/16 - 2 - 2 3/16 - 2 7/16 - 2 5/16
24	100BS24	10.250	2	18.1	- 1 1/16 - 1 15/16 - 2 - 2 3/16 - 2 7/16 - 2 5/16
25	100BS25	10.650	2	18.4	- 1 1/16 - 1 15/16 - 2 - 2 3/16 - 2 7/16 - 2 5/16

Hub diameters vary to suit different bore sizes.

NOTE:KEYWAY IS ON CENTER LINE OF TOOTH.

## STANDARD KEYWAYS AND SETSCREWS

Diameter of Shaft	Keyway Width × Depth	Setscrew	Diameter of Shaft	Keyway Width × Depth	Setscrew
1/2 - 5/16	1/8 × 1/16	10-24	2 1/16 - 2 3/4	5/8 × 5/16	5/8*
5/8 - 7/8	3/16 × 3/32	7/4	1 13/16 - 3 1/4	3/4 × 3/8	5/8*
1 1/16 - 1 1/4	1/4 × 1/8	7/16	3 1/16 - 3 3/4	7/8 × 7/16	3/4
1 5/16 - 1 3/8	5/16 × 5/32	5/16	3 13/16 - 4 1/2	1 × 1/2	3/4
1 7/16 - 1 3/4	3/8 × 3/16	3/8	4 1/16 - 5 1/2	1 1/4 × 5/8	3/4
1 11/16 - 2 1/4	1/2 × 1/4	1/2*	5 1/16 - 6 1/2	1 1/2 × 3/4	3/4

\* Hub size may require smaller setscrews in some instances.

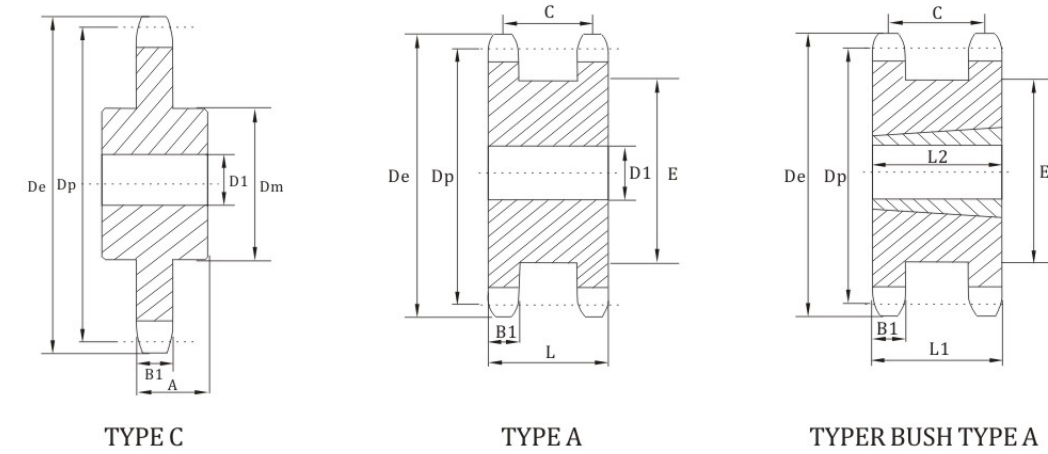
## STANDARD BORE TOLERANCES

1" and Less	+0.001-.000
1 1/16" to 2"	+0.002-.000
2 1/16" to 3"	+0.003-.000
3 1/16" & up	+0.004-.000

# Double Sprockets for Two Single Chains American Standard Series

No.40

◇Pitch 1/2" ◇Roller Φ 0.312" ◇Tooth width B1 0.284"



## Single-Type C-Steel

No. Teeth	Number	De	D1		Dm	A	Wt. Lbs. (Approx.)
			Min	Max.			
12	40C12	2.170	1/2	1	1 39/64*	1 1/2	.75
13	40C13	2.330	1/2	1 1/16	1 1/4	1 1/2	.94
14	40C14	2.490	1/2	1 1/8	1 1/16	1 1/2	.91
15	40C15	2.650	1/2	1 1/4	1 1/8	1 1/2	1.19
16	40C16	2.810	1/2	1 1/2	2	1 1/2	1.34
17	40C17	2.980	5/8	1 1/16	2 1/8	1 1/2	1.5
18	40C18	3.140	5/8	1 1/2	2 5/16	1 1/2	1.8

\* Has recessed groove in hub for chain clearance.

## Double Single-Type A-Steel

No. Teeth	Number	De	Dp	Type	D1		L	C	E	B1	Wt. (Approx.)
					Min	Max.					
15	DS40A15	2.650	2.405	A	1/2	1 1/4	1 13/32	1 1/8	1 13/16	.284	1.2
16	DS40A16	2.810	2.563	A	1/2	1 1/4	1 13/32	1 1/8	2	.284	1.4
17	DS40A17	2.980	2.721	A	1/2	1 1/16	1 13/32	1 1/8	2 1/8	.284	1.6
18	DS40A18	3.140	2.879	A	1/2	1 1/2	1 13/32	1 1/8	2 5/16	.284	1.8
19	DS40A19	3.300	3.038	A	5/8	1 1/16	1 13/32	1 1/8	2 1/2	.284	2.2
20	DS40A20	3.460	3.196	A	5/8	1 3/4	1 13/32	1 1/8	2 5/8	.284	2.6
21	DS40A21	3.620	3.355	A	5/8	1 3/4	1 13/32	1 1/8	2 5/8	.284	2.9
22	DS40A22	3.780	3.513	A	5/8	1 3/4	1 13/32	1 1/8	2 5/8	.284	3.0
23	DS40A23	3.940	3.672	A	5/8	2 1/16	1 13/32	1 1/8	2 3/2	.284	3.5
24	DS40A24	4.100	3.831	A	5/8	2 1/4	1 13/32	1 1/8	2 17/64	.284	4.0

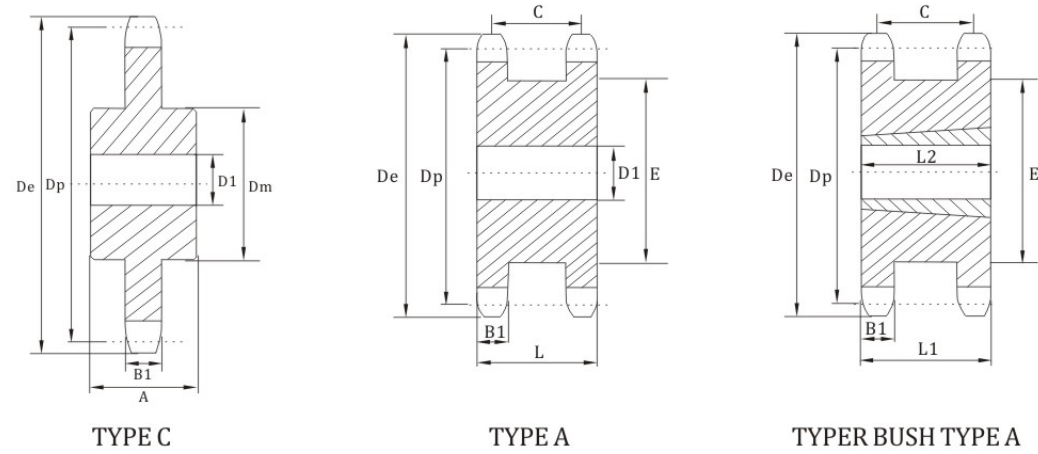
## Double Single-Taper Bushed-Steel

No. Teeth	Number	Bushing Size	De	Dp	D1		Type	L1	C	E	L2	B1	Wt. Rim Only
					Min	Max.							
19	DS40ATB19H	1215	3.300	3.308	1/2	1 1/4	A	1 13/32	1 1/8	2 1/2	1 1/2	.284	1.1
20	DS40ATB20H	1215	3.460	3.196	1/2	1 1/4	A	1 13/32	1 1/8	2 5/8	1 1/2	.284	1.3
21	DS40ATB21H	1615	3.620	3.355	1/2	1 5/8	A	1 13/32	1 1/8	2 5/8	1 1/2	.284	1.3
23	DS40ATB23H	1615	3.940	3.672	1/2	1 5/8	A	1 13/32	1 1/8	2 3/2	1 1/2	.284	1.5
24	DS40ATB24H	1615	4.100	3.831	1/2	1 5/8	A	1 13/32	1 1/8	2 17/64	1 1/2	.284	1.7

# Double Sprockets for Two Single Chains American Standard Series

No.50

◇ Pitch 5/8" ◇ Roller Φ 0.400" ◇ Tooth width B1 0.343"



## Single-Type C-Steel

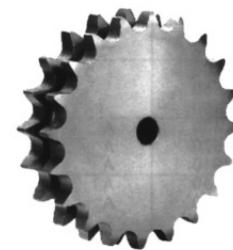
No. Teeth	Number	De	D1		Dm	A	Wt. Lbs. (Approx.)
			Min	Max.			
12	50C12	2.710	5/8	1 1/4	2 ★	1 5/8	1.25
13	50C13	2.910	5/8	1 1/8	1 7/8	1 5/8	1.47
14	50C14	3.110	5/8	1 1/8	2 1/8	1 5/8	1.69
15	50C15	3.320	5/8	1 1/2	2 3/8	1 5/8	1.94
16	50C16	3.520	5/8	1 3/4	2 1/2	1 5/8	2.42
17	50C17	3.720	5/8	1 7/8	2 5/8	1 5/8	2.75
18	50C18	3.920	5/8	1 7/8	2 5/8	1 5/8	3.25
19	50C19	4.120	3/4	2	3 1/4	1 5/8	3.87
20	50C20	4.320	3/4	2	3	1 5/8	4.40

★ Has recessed groove in hub for chain clearance.



## Double Single-Type A-Steel

No. Teeth	Number	De	Dp	Type	D1		L	C	E	B1	Wt. (Approx.)
					Min	Max.					
15	DS50A15	3.320	3.006	A	5/8	1 1/2	1 1/2	1 1/8	2 3/8	.343	2.1
16	DS50A16	3.520	3.204	A	5/8	1 1/8	1 1/2	1 1/8	2 1/2	.343	2.4
17	DS50A17	3.720	3.401	A	5/8	1 3/4	1 1/2	1 1/8	2 1/8	.343	2.9
18	DS50A18	3.920	3.599	A	5/8	1 7/8	1 1/2	1 1/8	2 5/8	.343	3.3
19	DS50A19	4.120	3.797	A	5/8	2 1/8	1 1/2	1 1/8	3 1/4	.343	3.7
20	DS50A20	4.320	3.995	A	5/8	2 1/4	1 1/2	1 1/8	3 3/8	.343	4.2
21	DS50A21	4.520	4.194	A	5/8	2 3/4	1 1/2	1 1/8	3 5/8	.343	4.8
22	DS50A22	4.720	4.392	A	5/8	2 7/8	1 1/2	1 1/8	3 7/8	.343	5.3
23	DS50A23	4.920	4.590	A	5/8	2 5/8	1 1/2	1 1/8	3 5/8	.343	5.8
24	DS50A24	5.120	4.788	A	5/8	2 3/4	1 1/2	1 1/8	4 1/8	.343	6.3



## Double Single-Taper Bushed-Steel

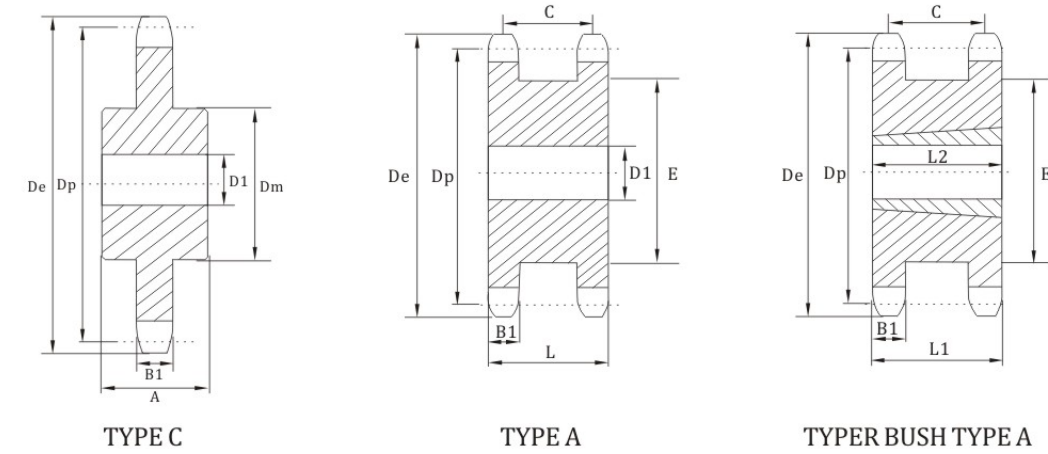
No. Teeth	Number	Bushing Size	De	Dp	D1		Type	L1	C	E	L2	B1	Wt. Rim Only
					Min	Max.							
17	DS50ATB17H	1615	3.720	3.401	1/2	1 1/8	A	1 1/2	1 1/8	2 1/8	1 1/2	.343	1.8
18	DS50ATB18H	1615	3.920	3.599	1/2	1 1/8	A	1 1/2	1 1/8	2 5/8	1 1/2	.343	2.2
19	DS50ATB19H	1615	4.120	3.797	1/2	1 1/8	A	1 1/2	1 1/8	3 1/4	1 1/4	.343	2.7
21	DS50ATB21H	2012	4.520	4.194	1/2	2	A	1 1/2	1 1/8	3 1/8	1 1/4	.343	3.3
23	DS50ATB23H	2012	4.920	4.590	1/2	2	A	1 1/2	1 1/8	3 5/8	1 1/4	.343	3.7
24	DS50ATB24H	2012	5.120	4.788	1/2	2	A	1 1/2	1 1/8	4 1/8	1 1/4	.343	4.1



# Double Sprockets for Two Single Chains American Standard Series

No.60

◇ Pitch 3/4" ◇ Roller Φ 0.468" ◇ Tooth width B1 0.459"



## Single-Type C

No. Teeth	Number	De	D1		Dm	A	Wt. Lbs. (Approx.)
			Min	Max.			
12	60C12	3.325	3/4	1 1/8	2 3/8 ★	2	2.25
13	60C13	3.490	3/4	1 1/2	2 1/2	2	2.75
14	60C14	3.740	3/4	1 3/4	2 5/8	2	3.10
15	60C15	3.980	3/4	1 7/8	2 7/8	2	3.19
16	60C16	4.220	3/4	2	3 1/8	2	4.19
17	60C17	4.460	3/4	2 1/4	3 1/4	2	4.81
18	60C18	4.700	3/4	2 3/8	3 1/2	2	5.62

★ Has recessed groove in hub for chain clearance.



## Double Single-Type A-Steel

No. Teeth	Number	De	Dp	Type	D1		L	C	E	B1	Wt. (Approx.)
					Min	Max.					
13	DS60A13	3.490	3.134	A	3/4	1 1/4	1 1/2	1 1/8	2 1/2	.495	2.6
14	DS60A14	3.740	3.371	A	3/4	1 1/2	1 1/2	1 1/8	2 3/8	.495	3.2
15	DS60A15	3.980	3.607	A	3/4	1 3/4	1 1/2	1 1/8	2 5/8	.495	3.8
16	DS60A16	4.220	3.844	A	3/4	1 7/8	1 1/2	1 1/8	3 1/8	.495	4.5
17	DS60A17	4.460	4.082	A	3/4	1 7/8	1 1/2	1 1/8	3 1/4	.495	5.3
18	DS60A18	4.700	4.319	A	3/4	1 7/8	1 1/2	1 1/8	3 1/2	.495	6.5
19	DS60A19	4.950	4.557	A	3/4	2 1/8	1 1/2	1 1/8	3 5/8	.495	6.8
20	DS60A20	5.190	4.794	A	3/4	2 1/4	1 1/2	1 1/8	3 5/8	.495	7.0
21	DS60A21	5.430	5.032	A	3/4	2 3/4	1 1/2	1 1/8	4 1/8	.495	7.5



## Double Single-Taper Bushed-Steel

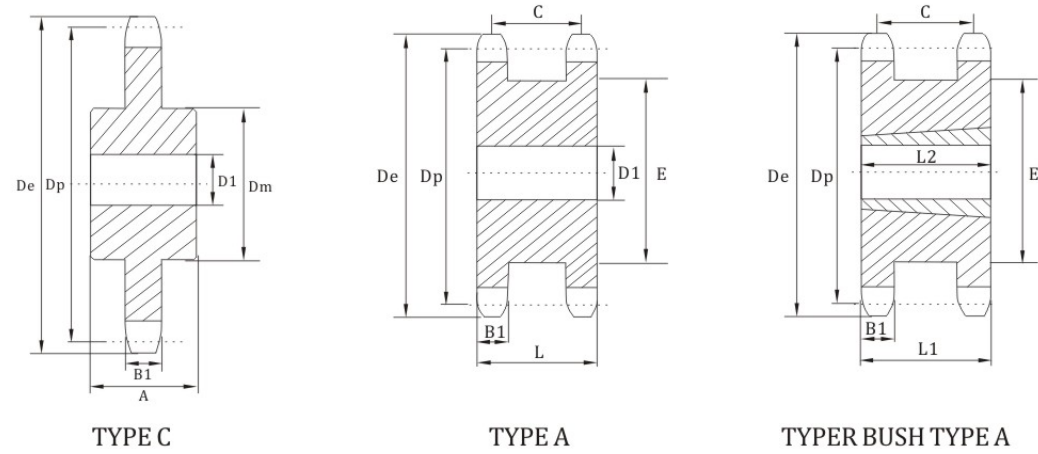
No. Teeth	Number	Bushing Size	De	Dp	D1		Type	L1	C	E	L2	B1	Wt. Rim Only
					Min	Max.							
17	DS60ATB17H	1615	4.460	4.002	1/2	1 5/8	A	1 1/2	1 1/8	3 7/8	1 1/2	.495	4.5
18	DS60ATB18H	2012	4.700	4.319	1/2	2	A	1 1/2	1 1/8	3 5/8	1 1/4	.495	5.0
19	DS60ATB19H	2012	4.950	4.557	1/2	2	A	1 1/2	1 1/8	3 5/8	1 1/4	.495	5.8
20	DS60ATB20H	2517	5.190	4.794	1/2	2 1/2	A	1 1/2	1 1/8	3 5/8	1 3/4	.495	5.6
21	DS60ATB21H	2517	5.430	5.032	1/2	2 1/2	A	1 1/2	1 1/8	4 1/8	1 3/4	.495	6.4
23	DS60ATB23H	2517	5.910	5.508	1/2	2 1/2	A	1 1/2	1 1/8	4 3/8	1 3/4	.495	7.3
24	DS60ATB24H	2517	6.150	5.746	1/2	2 1/2	A	1 1/2	1 1/8	4 29/32	1 3/4	.495	8.2



# Double Sprockets for Two Single Chains American Standard Series

No.80

◇ Pitch 1" ◇ Roller Φ 0.625" ◇ Tooth width B1 0.575"



## Single-Type C-Steel

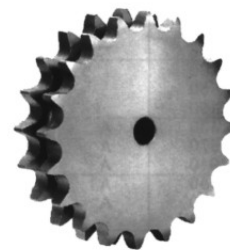
No. Teeth	Number	De	D1		Dm	A	Wt. Lbs. (Approx.)
			Min	Max.			
11	80C11	4.010	1	1 1/8	2 25/32 ★	2 3/8	3.87
12	80C12	4.330	1	1 1/8	3 1/8 ★	2 3/8	4.31
13	80C13	4.660	1	2	3 1/4	2 3/8	5.32
14	80C14	4.980	1	2 1/4	3 11/32	2 3/8	6.44
15	80C15	5.300	1	2 1/2	3 13/16	2 3/8	7.75
16	80C16	5.630	1	2 5/8	4	2 3/8	8.81

★ Has recessed groove in hub for chain clearance.



## Double Single-Type A-Steel

No. Teeth	Number	De	Dp	Type	D1		L	C	E	B1	Wt. (Approx.)
					Min	Max.					
13	DS80A13	4.660	4.179	A	1	2	2 1/16	1 1/8	3 1/4	.575	6.5
14	DS80A14	4.980	4.494	A	1	2 1/4	2 1/16	1 1/8	3 11/32	.575	7.7
15	DS80A15	5.300	4.810	A	1	2 3/8	2 1/16	1 1/8	3 13/16	.575	9.1
16	DS80A16	5.630	5.126	A	1	2 1/2	2 1/16	1 1/8	4	.575	9.5
17	DS80A17	5.950	5.442	A	1	2 5/8	2 1/16	1 1/8	4 1/4	.575	10.8
18	DS80A18	6.270	5.759	A	1	3 1/8	2 1/16	1 1/8	4 1/2	.575	12.1
19	DS80A19	6.590	6.076	A	1	3 1/4	2 1/16	1 1/8	4 3/4	.575	12.8
20	DS80A20	6.910	6.392	A	1	3 3/8	2 1/16	1 1/8	5 1/4	.575	14.0
21	DS80A21	7.240	6.710	A	1	3 1/2	2 1/16	1 1/8	5 1/2	.575	16.5
22	DS80A22	7.560	7.027	A	1	3 3/4	2 1/16	1 1/8	5 3/4	.575	18.4



## Double Single-Taper Bushed-Steel

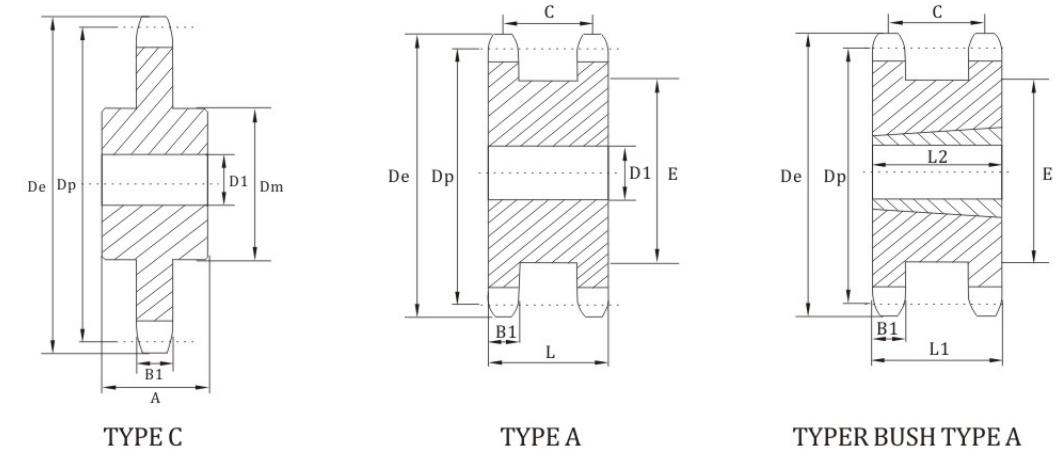
No. Teeth	Number	Bushing Size	De	Dp	D1		Type	L1	C	E	L2	B1	Wt. Rim Only
					Min	Max.							
17	DS80ATB17H	2517	5.950	5.442	1/2	2 1/2	A	2 3/16	1 1/8	4 5/16	1 1/4	.575	7.6
18	DS80ATB18H	2517	6.270	5.759	1/2	2 1/2	A	2 3/16	1 1/8	4 3/4	1 1/4	.575	8.7
19	DS80ATB19H	3020	6.590	6.076	15/16	3	A	2 3/16	1 1/8	4 61/64	2	.575	9.7
21	DS80ATB21H	3020	6.910	6.392	15/16	3	A	2 3/16	1 1/8	5 1/32	2	.575	10.
22	DS80ATB22H	3020	7.240	6.710	15/16	3	A	2 3/16	1 1/8	5 19/32	2	.575	12.
23	DS80ATB23H	3020	7.880	7.344	15/16	3	A	2 3/16	1 1/8	6 15/64	2	.575	14.5



# Double Sprockets for Two Single Chains American Standard Series

No.100

◇ Pitch 1-1/4" ◇ Roller Φ 0.750" ◇ Tooth width B1 0.692"



## Single-Type C

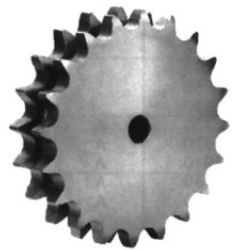
No. Teeth	Number	De	D1		Dm	A	Wt. Lbs. (Approx.)
			Min	Max.			
10	100C10	4.600	1	1 1/8	3 9/32	2 3/8	6.13
11	100C11	5.010	1	2 1/8	3 7/16	2 3/8	7.12
12	100C12	5.420	1	2 3/8	4	2 3/8	8.37
13	100C13	5.820	1	2 5/8	3 57/64	2 3/8	10.00
14	100C14	6.230	1 1/4	2 3/4	4 3/16	2 3/8	12.19

★ Has recessed groove in hub for chain clearance.



## Double Single-Type A-Steel

No. Teeth	Number	De	Dp	Type	D1		L	C	E	B1	Wt. (Approx.)
					Min	Max.					
13	DS100A13	5.820	5.223	A	1	2 1/8	2 11/16	2	3 25/32	.692	11.2
14	DS100A14	6.230	5.617	A	1 1/4	2 3/4	2 11/16	2	4 3/16	.692	13.5
15	DS100A15	6.630	6.012	A	1 1/4	3 1/16	2 11/16	2	4 19/32	.692	16.8
16	DS100A16	7.030	6.407	A	1 1/4	3 1/4	2 11/16	2	4 1/2	.692	19.3
17	DS100A17	7.440	6.803	A	1 1/4	3 5/8	2 11/16	2	4 29/32	.692	21.5
18	DS100A18	7.840	7.198	A	1 1/4	3 3/4	2 11/16	2	5 9/32	.692	23.0
19	DS100A19	8.240	7.595	A	1 1/4	4 3/16	2 11/16	2	6 13/64	.692	25.0
20	DS100A20	8.640	7.991	A	1 1/4	4 3/8	2 11/16	2	6 39/64	.692	26.5
21	DS100A21	9.040	8.387	A	1 1/4	5 1/4	2 11/16	2	7	.692	29.0



## Double Single-Taper Bushed-Steel

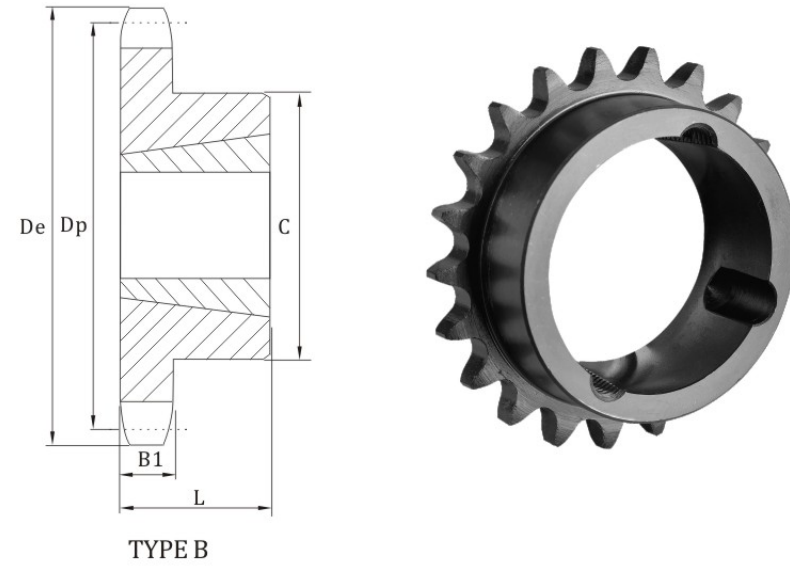
No. Teeth	Number	Bushing Size	De	Dp	D1		Type	L1	C	E	L2	B1	Wt. Rim Only
					Min	Max.							
16	DS100ATB16H	2517	7.030	6.407	3/4	2 1/2	A	2 11/16	2	5	1 1/4	.692	13.
17	DS100ATB17H	3020	7.440	6.803	15/16	3	A	2 11/16	2	5 13/32	2	.692	14
18	DS100ATB18H	3020	7.840	7.198	15/16	3	A	2 11/16	2	5 5/64	2	.692	16.
19	DS100ATB19H	3020	8.240	7.595	15/16	3	A	2 11/16	2	6 13/64	2	.692	20.
21	DS100ATB21H	3020	9.040	8.387	15/16	3	A	2 11/16	2	7	2	.692	27.5



# Taper Bore Sprockets American Standard Series

No.35

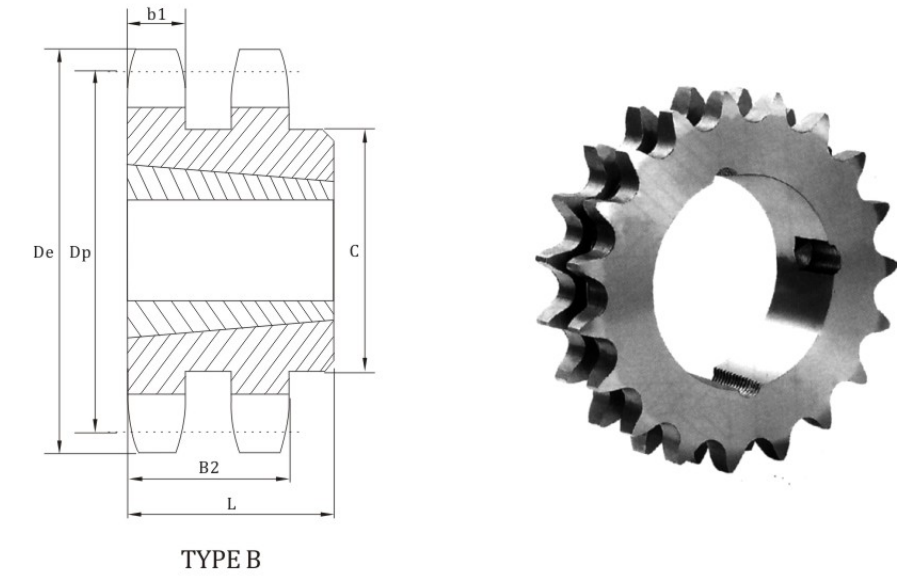
◇ Pitch 3/8" ◇ Roller Φ 0.200" ◇ Tooth width B1 0.168"



# Taper Bore Sprockets American Standard Series

No.35-2

◇ Pitch 3/8" ◇ Roller Φ 0.200" ◇ Tooth width b1 0.162" ◇ Tooth width B2 0.561"



## Single-Taper Bushed

No. Teeth	Number	Bushing	De	Dp	Max. Bore	L	C	Type	Weight (Approx.)	
									Rim Only	Bushing Only
18	35BTB18	1008	2.352	2.159	1	7/8	1 1/8★	B	.4	.3
19	35BTB19	1008	2.472	2.278	1	7/8	1 15/16	B	.5	.3
20	35BTB20	1008	2.593	2.397	1	7/8	1 15/16	B	.6	.3
21	35BTB21	1008	2.713	2.516	1	7/8	2 1/16	B	.7	.3
22	35BTB22	1210	2.883	2.635	1 1/4	1	2 3/8★	B	.8	.6
23	35BTB23	1210	2.954	2.754	1 1/4	1	2 7/16	B	.9	.6
24	35BTB24	1210	3.074	2.873	1 1/4	1	2 7/16	B	.9	.6
25	35BTB25	1210	3.194	2.992	1 1/4	1	2 7/16	B	1.2	.6
26	35BTB26	1610	3.314	3.111	1 5/8	1	2 7/8★	B	1.1	.9
28	35BTB28	1610	3.553	3.349	1 5/8	1	2 7/8	B	1.2	.9
30	35BTB30	1610	3.793	3.588	1 5/8	1	3 1/8	B	1.2	.9
32	35BTB32	1610	4.032	3.826	1 5/8	1	3 1/4	B	1.3	.9
35	35BTB35	1610	4.392	4.183	1 5/8	1	3 1/4	B	1.4	.9
36	35BTB36	1610	4.511	4.303	1 5/8	1	3 1/4	B	1.4	.9
40	35BTB40	1610	4.990	4.786	1 5/8	1	3 1/4	B	1.9	.9
42	35BTB42	1610	5.229	5.018	1 5/8	1	3 1/4	B	2.0	.9
45	35BTB45	1610	5.588	5.376	1 5/8	1	3 1/4	B	2.1	.9
48	35BTB48	1610	5.946	5.734	1 5/8	1	3 1/4	B	2.3	.9
54	35BTB54	1610	6.663	6.449	1 5/8	1	3 1/4	B	2.6	.9
60	35BTB60	1610	7.380	7.165	1 5/8	1	3 1/4	B	3.0	.9
70	35BTB70	1610	8.575	8.358	1 5/8	1	3 1/4	B	3.7	.9
72	35BTB72	1610	8.814	8.597	1 5/8	1	3 1/4	B	3.9	.9
80	35BTB80	1610	9.770	9.552	1 5/8	1	3 1/4	B	4.5	.9
84	35BTB84	1610	10.247	10.029	1 5/8	1	3 1/4	B	4.9	.9
96	35BTB96	1610	11.680	11.461	1 5/8	1	3 1/4	B	6.0	.9
112	35BTB112	1610	13.590	13.371	1 5/8	1	3 1/4	B	7.8	.9

★ Has recessed groove in hub for chain clearance.

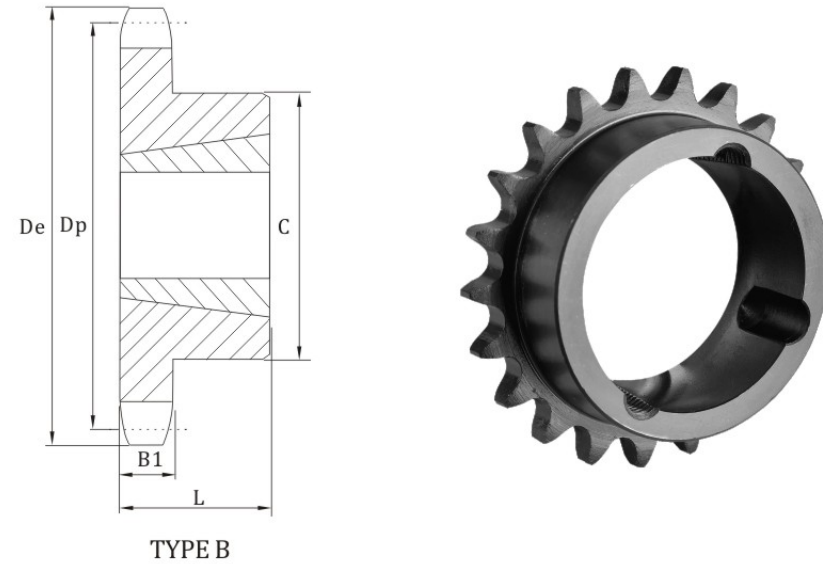
## Double-Taper Bushed

No. Teeth	Number	Bushing	De	Dp	Max. Bore	L	C	Type	Weight (Approx.)	
									Rim Only	Bushing Only
19	D35BTB19H	1008	2.472	2.278	1	7/8	1 59/64	B	.6	.3
20	D35BTB20H	1008	2.593	2.397	1	7/8	1 15/16	B	.8	.3
21	D35BTB21H	1008	2.713	2.516	1	7/8	2 1/16	B	1.4	.3
22	D35BTB22H	1008	2.833	2.635	1	7/8	2 7/16	B	1.7	.3
24	D35BTB24H	1210	3.074	2.873	1 1/4	1	2 7/16	B	1.8	.6
26	D35BTB26	1210	3.314	3.111	1 1/4	1	2 7/8	B	2.0	.6
30	D35BTB30	1610	3.793	3.588	1 5/8	1	3 1/8	B	1.8	.9
32	D35BTB32	1610	4.032	3.826	1 5/8	1	3 1/4	B	2.0	.9
35	D35BTB35	1610	4.392	4.183	1 5/8	1	3 1/4	B	2.3	.9
40	D35BTB40	1610	4.990	4.786	1 5/8	1	3 1/4	B	2.9	.9
45	D35BTB45	1610	5.588	5.376	1 5/8	1	3 1/4	B	3.2	.9
48	D35BTB48	1610	5.946	5.734	1 5/8	1	3 1/4	B	3.5	.9
54	D35BTB54	1610	6.663	6.449	1 5/8	1	3 1/4	B	3.9	.9
60	D35BTB60	1610	7.380	7.165	1 5/8	1	3 1/4	B	4.9	.9
70	D35BTB70	1610	8.575	8.358	1 5/8	1	3 1/4	B	6.3	.9
80	D35BTB80	1610	9.770	9.552	1 5/8	1	3 1/4	B	7.9	.9
96	D35BTB96	1610	11.680	11.461	1 5/8	1	3 1/4	B	9.9	.9
112	D35BTB112	1610	13.590	13.371	1 5/8	1	3 1/4	B	10.9	.9

# Taper Bore Sprockets American Standard Series

No.41

◇ Pitch 1/2" ◇ Roller Φ 0.306" ◇ Tooth width B1 0.227"



TYPE B

## Single-Taper Bushed

No. Teeth	Number	Bushing	De	Dp	Max. Bore	L	C	Type	Weight (Approx.)	
									Rim Only	Bushing Only
14	41BTB14	1008	2.49	2.249	1	7/8	1 1/8★	B	.4	.3
15	41BTB15	1008	2.65	2.405	1	7/8	1 7/8	B	.5	.3
16	41BTB16	1008	2.81	2.503	1	7/8	2	B	.6	.3
17	41BTB17	1210	2.98	2.721	1 1/4	1	2 3/8★	B	.7	.6
18	41BTB18	1210	3.14	2.879	1 1/4	1	2 7/8	B	.9	.6
19	41BTB19	1210	3.30	3.038	1 1/4	1	2 1/2	B	1.1	.6
20	41BTB20	1610	3.46	3.196	1 5/8	1	2 7/8★	B	1.1	.9
21	41BTB21	1610	3.62	3.355	1 5/8	1	3★	B	1.2	.9
22	41BTB22	1610	3.78	3.573	1 5/8	1	3	B	1.3	.9
23	41BTB23	1610	3.94	3.672	1 5/8	1	3	B	1.4	.9
24	41BTB24	1610	4.10	3.831	1 5/8	1	3 1/4	B	1.4	.9
25	41BTB25	1610	4.26	3.989	1 5/8	1	3 1/4	B	1.5	.9
26	41BTB26	1610	4.42	4.148	1 5/8	1	3 1/4	B	1.5	.9
28	41BTB28	1610	4.74	4.466	1 5/8	1	3 1/4	B	1.7	.9
30	41BTB30	1610	5.06	4.783	1 5/8	1	3 1/4	B	1.8	.9
32	41BTB32	1610	5.38	5.101	1 5/8	1	3 1/4	B	1.9	.9
35	41BTB35	1610	5.86	5.578	1 5/8	1	3 1/4	B	2.3	.9
36	41BTB36	1610	6.02	5.737	1 5/8	1	3 1/4	B	2.4	.9
40	41BTB40	1610	6.65	6.373	1 5/8	1	3 1/4	B	2.7	.9
45	41BTB45	1610	7.45	7.168	1 5/8	1	3 1/4	B	3.5	.9
48	41BTB48	1610	7.93	7.645	1 5/8	1	3 1/4	B	4.1	.9
54	41BTB54	1610	8.89	8.599	1 5/8	1	3 1/4	B	4.9	.9
60	41BTB60	1610	9.84	9.554	1 5/8	1	3 1/4	B	5.7	.9
70	41BTB70	1610	11.43	11.145	1 5/8	1	3 1/4	B	7.4	.9
72	41BTB72	1610	11.75	11.463	1 5/8	1	3 1/4	B	8.2	.9
80	41BTB80	1610	13.03	12.736	1 5/8	1	3 1/4	B	9.6	.9
96	41BTB96	1610	15.57	15.281	1 5/8	1	3 1/4	B	13.1	.9

★ Has recessed groove in hub for chain clearance.

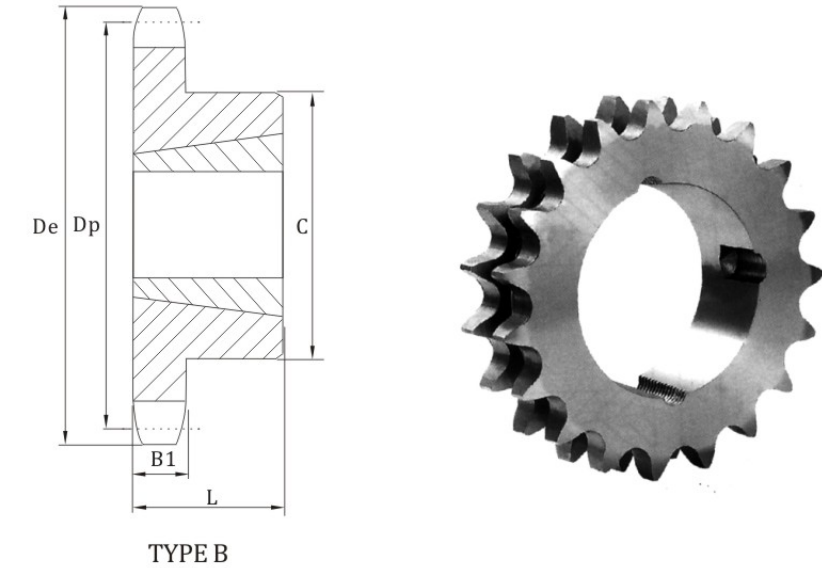
# Taper Bore Sprockets American Standard Series

No.40

◇ Pitch 1/2" ◇ Roller Φ 0.312" ◇ Tooth width B1 0.284"

## Single-Taper Bushed With Hardened Teeth

No. Teeth	Number
14	40BTB14H
15	40BTB15H
16	40BTB16H
17	40BTB17H
18	40BTB18H
19	40BTB19H
20	40BTB20H
21	40BTB21H
22	40BTB22H
23	40BTB23H
24	40BTB24H
25	40BTB25H
26	40BTB26H
28	40BTB28H
30	40BTB30H



TYPE B

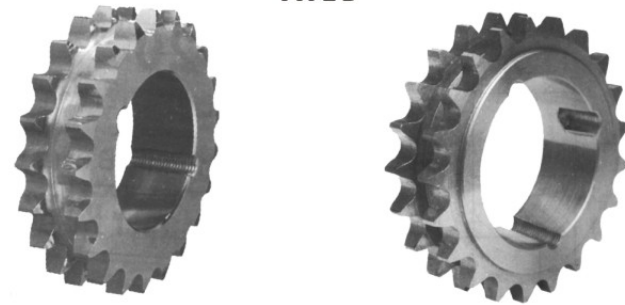
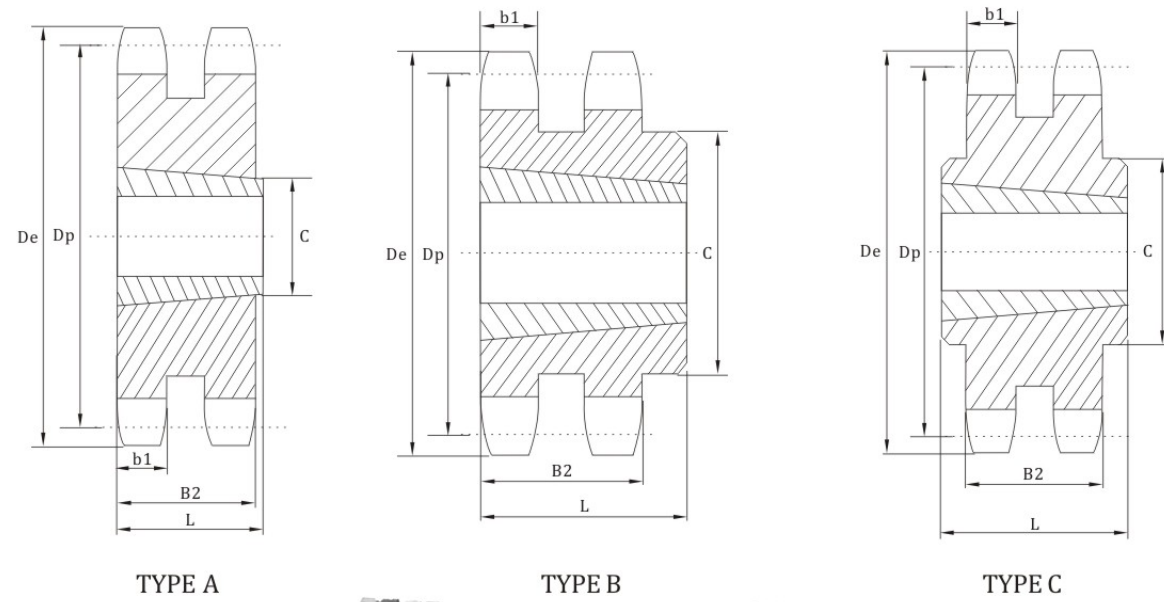
## Single-Taper Bushed

No. Teeth	Number	Bushing	De	Dp	Max. Bore	L	C	Type	Weight (Approx.)	
									Rim Only	Bushing Only
14	40BTB14	1008	2.491	2.247	1	7/8	1 13/16★	B	.3	.3
15	40BTB15	1008	2.652	2.405	1	7/8	1 13/16	B	.4	.3
16	40BTB16	1008	2.814	2.563	1	7/8	1 15/16	B	.5	.3
17	40BTB17	1210	2.975	2.721	1 1/4	1	2 3/8★	B	.5	.3
18	40BTB18	1210	3.315	2.879	1 1/4	1	2 15/32★	B	.6	.6
19	40BTB19	1210	3.296	3.038	1 1/4	1	2 15/32	B	.7	.6
20	40BTB20	1610	3.457	3.196	1 5/8	1	2 25/32★	B	.7	.9
21	40BTB21	1610	3.617	3.355	1 5/8	1	2 25/32	B	.8	.9
22	40BTB22	1610	3.778	3.513	1 5/8	1	2 25/32	B	.9	.9
23	40BTB23	1610	3.938	3.672	1 5/8	1	3	B	1.0	.9
24	40BTB24	1610	4.098	3.831	1 5/8	1	3 1/4	B	1.4	.9
25	40BTB25	1610	4.258	3.989	1 5/8	1	3 1/4	B	1.5	.9
26	40BTB26	1610	4.418	4.148	1 5/8	1	3 1/4	B	1.7	.9
28	40BTB28	1610	4.738	4.466	1 5/8	1	3	B	1.8	.9
30	40BTB30	1610	5.057	4.783	1 5/8	1	3	B	1.9	.9
32	40BTB32	1610	5.377	5.101	1 5/8	1	3	B	1.9	.9
35	40BTB35	1610	5.855	5.578	1 5/8	1	3	B	2.3	.9
36	40BTB36	1610	6.015	5.737	1 5/8	1	3	B	2.4	.9
40	40BTB40	1610	6.653	6.373	1 5/8	1	3	B	2.8	.9
42	40BTB42	1610	6.972	6.691	1 5/8	1	3	B	2.9	.9
45	40BTB45	1610	7.451	7.168	1 5/8	1	3	B	3.5	.9
48	40BTB48	1610	7.928	7.645	1 5/8	1	3	B	4.0	.9
54	40BTB54	1610	8.885	8.599	1 5/8	1	3	B	4.9	.9
60	40BTB60	1610	9.841	9.554	1 5/8	1	3	B	6.0	.9
70	40BTB70	2012	11.434	11.145	2	1 1/4	3 9/16	B	8.2	1.7
72	40BTB72	2012	11.752	11.463	2	1 1/4	3 9/16	B	9.0	1.7
80	40BTB80	2012	13.026	12.736	2	1 1/4	3 9/16	B	10.8	1.7
84	40BTB84	2012	13.663	13.372	2	1 1/4	3 9/16	B	11.3	1.7
96	40BTB96	2012	15.573	15.282	2	1 1/4	3 9/16	B	14.6	1.7
112	40BTB112	2517	18.122	17.828	2 1/2	1 3/4	4 1/4	B	20.5	1.7

# Taper Bore Sprockets American Standard Series

No.40-2

◇ Pitch 1/2" ◇ Roller Φ 0.312" ◇ Tooth width b1 0.275" ◇ Tooth width B2 0.841"



## Single-Taper Bushed

No. Teeth	Number	Bushing	De	Dp	Max. Bore	L	C	Type	Weight (Approx.)	
									Rim Only	Bushing Only
15	D40BTB15H	1008	2.652	2.405	1	7/8	1 <sup>17</sup> / <sub>64</sub>	A	.5	.3
16	D40BTB16H	1008	2.814	2.563	1	7/8	1 <sup>17</sup> / <sub>64</sub>	A	.6	.3
17	D40BTB17H	1008	2.975	2.721	1	7/8	1 <sup>17</sup> / <sub>64</sub>	A	.7	.3
18	D40BTB18H	1210	3.135	2.879	1 1/4	1	2 5/16	B	.7	.6
19	D40BTB19H	1210	3.296	3.038	1 1/4	1	2 1/2	B	.9	.6
20	D40BTB20H	1610	3.457	3.196	1 5/8	1	2 5/8	B	.9	.9
21	D40BTB21H	1610	3.617	3.355	1 5/8	1	2 3/4	B	1.0	.9
23	D40BTB23H	1610	3.938	3.672	1 5/8	1	3	B	1.3	.9
25	D40BTB25H	2012	4.258	3.989	2	1 1/4	3 <sup>13</sup> / <sub>32</sub>	B	1.6	1.7
30	D40BTB30	2012	5.057	4.783	2	1 1/4	4 <sup>15</sup> / <sub>64</sub>	B	3.4	1.7
36	D40BTB36	2012	6.015	5.737	2	1 1/4	5 5/32	B	5.9	1.7
42	D40CTB42	2517	6.972	6.691	2 1/2	1 3/4	4 1/4	C	7.0	3.5
48	D40CTB48	2517	7.928	7.645	2 1/2	1 3/4	4 1/4	C	9.6	3.5
52	D40CTB52	2517	8.566	8.281	2 1/2	1 3/4	4 1/4	C	11.4	3.5
60	D40CTB60	2517	9.841	9.554	2 1/2	1 3/4	4 1/4	C	15.4	3.5
68	D40CTB68	2517	11.115	10.826	2 1/2	1 3/4	4 1/4	C	20.5	3.5
76	D40CTB76	2517	12.389	12.099	2 1/2	1 3/4	4 1/4	C	25.7	3.5
84	D40CTB84	2517	13.663	13.372	2 1/2	1 3/4	4 1/4	C	31.6	3.5
95	D40CTB95	2517	15.414	15.122	2 1/2	1 3/4	4 1/4	C	34.1	3.5
102	D40CTB102	2517	16.529	16.236	2 1/2	1 3/4	4 1/4	C	36.8	3.5

NOTE: Double 40 stock sprockets with 25 teeth or less have hardened teeth.

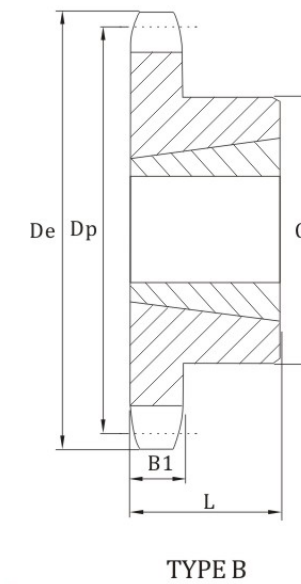
# Taper Bore Sprockets American Standard Series

No.50

◇ Pitch 5/8" ◇ Roller Φ 0.400" ◇ Tooth width B1 0.343"

## Single-Taper Bushed With Hardened Teeth

No. Teeth	Number
12	50BTB12H
13	50BTB13H
14	50BTB14H
15	50BTB15H
16	50BTB16H
17	50BTB17H
18	50BTB18H
19	50BTB19H
20	50BTB20H
21	50BTB21H
22	50BTB22H
23	50BTB23H
24	50BTB24H
25	50BTB25H
26	50BTB26H
27	50BTB27H
28	50BTB28H
30	50BTB30H



## Single-Taper Bushed

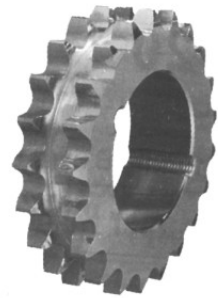
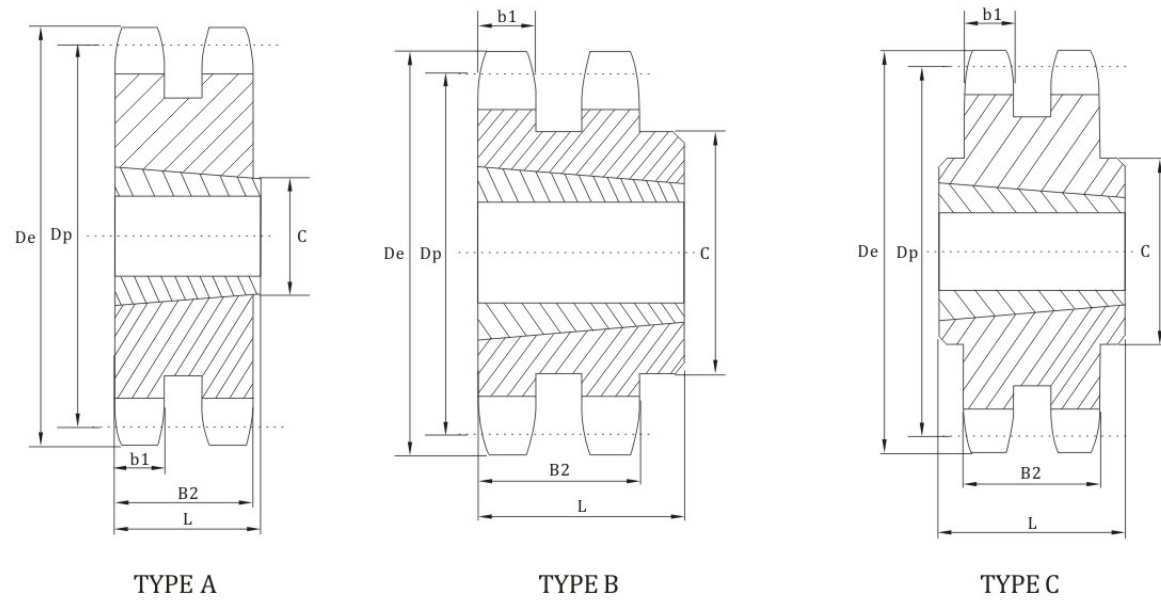
No. Teeth	Number	Bushing	De	Dp	Max. Bore	L	C	Type	Weight (Approx.)	
									Rim Only	Bushing Only
12	50BTB12	1008	2.708	2.415	1	7/8	1 <sup>15</sup> / <sub>16</sub> ★	B	.5	.3
13	50BTB13	1008	2.911	2.612	1	7/8	1 <sup>13</sup> / <sub>16</sub>	B	.5	.3
14	50BTB14	1008	3.113	2.809	1	7/8	1 <sup>15</sup> / <sub>16</sub>	B	.6	.3
15	50BTB15	1210	3.315	3.006	1 1/4	1	2 <sup>15</sup> / <sub>32</sub> ★	B	.7	.6
16	50BTB16	1610	3.517	3.204	1 5/8	1	2 <sup>25</sup> / <sub>32</sub> ★	B	.7	.9
17	50BTB17	1610	3.719	3.401	1 5/8	1	2 <sup>25</sup> / <sub>32</sub> ★	B	.8	.9
18	50BTB18	1610	3.920	3.599	1 5/8	1	2 <sup>25</sup> / <sub>32</sub>	B	.9	.9
19	50BTB19	1610	4.120	3.797	1 5/8	1	3	B	1.3	.9
20	50BTB20	1610	4.321	3.995	1 5/8	1	3 1/4	B	1.6	.9
21	50BTB21	1610	4.522	4.193	1 5/8	1	3	B	1.5	.9
22	50BTB22	1610	4.722	4.392	1 5/8	1	3	B	1.6	.9
23	50BTB23	2012	4.922	4.590	2	1 1/4	3 7/16	B	2.0	1.7
24	50BTB24	2012	5.122	4.788	2	1 1/4	3 7/16	B	2.2	1.7
25	50BTB25	2012	5.322	4.987	2	1 1/4	3 7/16	B	2.4	1.7
26	50BTB26	2012	5.522	5.185	2	1 1/4	3 7/16	B	2.5	1.7
27	50BTB27	2012	5.723	5.384	2	1 1/4	3 7/16	B	2.6	1.7
28	50BTB28	2012	5.922	5.582	2	1 1/4	3 7/16	B	2.8	1.7
30	50BTB30	2012	6.321	5.979	2	1 1/4	3 7/16	B	3.2	1.7
32	50BTB32	2012	6.721	6.376	2	1 1/4	3 7/16	B	3.6	1.7
35	50BTB35	2012	7.319	6.972	2	1 1/4	3 7/16	B	4.2	1.7
36	50BTB36	2012	7.519	7.171	2	1 1/4	3 7/16	B	4.3	1.7
40	50BTB40	2012	8.316	7.966	2	1 1/4	3 7/16	B	5.2	1.7
42	50BTB42	2012	8.715	8.363	2	1 1/4	3 7/16	B	5.9	1.7
45	50BTB45	2012	9.313	8.960	2	1 1/4	3 7/16	B	6.5	1.7
48	50BTB48	2012	9.911	9.556	2	1 1/4	3 7/16	B	7.3	1.7
54	50BTB54	2012	11.106	10.749	2	1 1/4	3 7/16	B	9.0	1.7
60	50BTB60	2012	12.301	11.942	2	1 1/4	3 7/16	B	10.8	1.7
70	50BTB70	2517	14.292	13.931	2 1/2	1 3/4	3 1/4	B	14.0	3.5
72	50BTB72	2517	14.690	14.329	2 1/2	1 3/4	3 1/4	B	15.5	3.5
80	50BTB80	2517	16.282	15.920	2 1/2	1 3/4	3 1/4	B	19.5	3.5
84	50BTB84	2517	17.079	16.715	2 1/2	1 3/4	3 1/4	B	22.5	3.5
96	50BTB96	2517	19.466	19.102	2 1/2	1 3/4	3 1/4	B	29.0	3.5
112	50BTB112	2517	22.651	22.285	2 1/2	1 3/4	3 1/4	B	38.7	3.5

★ Has recessed groove in hub for chain clearance.

# Taper Bore Sprockets American Standard Series

No.50-2

◇ Pitch 5/8" ◇ Roller Φ 0.400" ◇ Tooth width B1 0.332" ◇ Tooth width B2 1.045"



## Double-Taper Bushed

No. Teeth	Number	Bushing	De	Dp	Max. Bore	L	C	Type	Weight (Approx.)	
									Rim Only	Bushing Only
14	D50ATB14H	1008	3.113	2.809	1	7/8		A	.8	.3
15	D50ATB15H	1210	3.315	3.006	1 1/4	1		A	.9	.6
16	D50ATB16H	1210	3.517	3.204	1 1/4	1		A	1.1	.6
17	D50ATB17H	1610	3.719	3.410	1 5/8	1		A	1.1	.6
18	D50ATB18H	1610	3.920	3.599	1 5/8	1		A	1.3	.9
19	D50ATB19H	1610	4.120	3.797	1 5/8	1		A	1.6	.9
20	D50ATB20H	2012	4.321	3.995	2	1 1/4	3 1/4	B	1.5	1.7
21	D50ATB21H	2012	4.522	4.193	2	1 1/4	3 1/2	B	1.9	1.7
25	D50ATB25H	2012	5.322	4.987	2	1 1/4	4 9/32	B	3.8	1.7
30	D50CTB30	2517	6.321	5.979	2 1/2	1 3/4	5 9/32	B	7.5	3.5
36	D50CTB36	2517	7.519	7.171	2 1/2	1 3/4	4 1/4	C	9.4	3.5
42	D50CTB42	2517	8.715	8.363	2 1/2	1 3/4	4 1/4	C	13.4	3.5
48	D50CTB48	2517	9.911	9.556	2 1/2	1 3/4	4 1/4	C	18.6	3.5
52	D50CTB52	2517	10.707	10.351	2 1/2	1 3/4	4 3/8	C	22.2	3.5
60	D50CTB60	2517	12.301	11.942	2 1/2	1 3/4	4 3/8	C	30.3	3.5
68	D50CTB68	2517	13.893	13.533	2 1/2	1 3/4	4 3/8	C	39.4	3.5
76	D50CTB76	2517	15.486	15.124	2 1/2	1 3/4	4 3/8	C	41.2	3.5
84	D50CTB84	2517	17.079	16.715	2 1/2	1 3/4	4 3/8	C	45.3	3.5
95	D50CTB95	2517	19.267	18.903	2 1/2	1 3/4	4 3/8	C	58.8	3.5
102	D50CTB102	2517	20.661	20.295	2 1/2	1 3/4	4 3/8	C	67.1	3.5

NOTE: Double 50 stock sprockets with 25 teeth or less have hardened teeth.

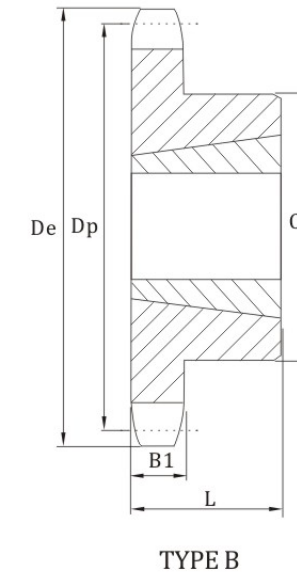
# Taper Bore Sprockets American Standard Series

No.60

◇ Pitch 3/4" ◇ Roller Φ 0.468" ◇ Tooth width B1 0.459"

## Single-Taper Bushed With Hardened Teeth

No. Teeth	Number
11	60BTB11H
12	60BTB12H
13	60BTB13H
14	60BTB14H
15	60BTB15H
16	60BTB16H
17	60BTB17H
18	60BTB18H
19	60BTB19H
20	60BTB20H
21	60BTB21H
22	60BTB22H
23	60BTB23H
24	60BTB24H
25	60BTB25H
26	60BTB26H
27	60BTB27H
28	60BTB28H
30	60BTB30H



## Single-Taper Bushed

No. Teeth	Number	Bushing	De	Dp	Max. Bore	L	C	Type	Weight (Approx.)	
									Rim Only	Bushing Only
11	60BTB11	1008	3.004	2.662	1	7/8	1 13/16	B	.6	.3
12	60BTB12	1008	3.249	2.898	1	7/8	1 15/16	B	.8	.3
13	60BTB13	1210	3.493	3.134	1 1/4	1	2 15/32 ★	B	.8	.6
14	60BTB14	1210	3.736	3.371	1 1/4	1	2 19/32	B	1.0	.6
15	60BTB15	1610	3.979	3.607	1 5/8	1	2 25/32	B	1.0	.9
16	60BTB16	1610	4.221	3.844	1 5/8	1	3	B	1.4	.9
17	60BTB17	1610	4.462	4.082	1 5/8	1	3 1/4	B	1.8	.9
18	60BTB18	1610	4.704	4.319	1 5/8	1	3 1/4	B	1.9	.9
19	60BTB19	1610	4.945	4.557	1 5/8	1	3 1/4	B	2.2	.9
20	60BTB20	2012	5.185	4.794	2	1 1/4	3 9/16	B	2.2	1.7
21	60BTB21	2012	5.426	5.032	2	1 1/4	3 9/16	B	2.5	1.7
22	60BTB22	2012	5.666	5.270	2	1 1/4	3 9/16	B	2.8	1.7
23	60BTB23	2012	5.907	5.508	2	1 1/4	3 9/16	B	3.1	1.7
24	60BTB24	2012	6.147	5.746	2	1 1/4	3 9/16	B	3.4	1.7
25	60BTB25	2012	6.387	5.984	2	1 1/4	3 9/16	B	3.7	1.7
26	60BTB26	2012	6.627	6.222	2	1 1/4	3 9/16	B	4.0	1.7
27	60BTB27	2012	6.867	6.416	2	1 1/4	3 9/16	B	4.2	1.7
28	60BTB28	2012	7.107	6.699	2	1 1/4	3 9/16	B	4.6	1.7
30	60BTB30	2012	7.586	7.175	2	1 1/4	3 9/16	B	5.2	1.7
32	60BTB32	2012	8.065	7.652	2	1 1/4	3 9/16	B	5.6	1.7
35	60BTB35	2012	8.783	8.367	2	1 1/4	3 9/16	B	6.4	1.7
36	60BTB36	2012	9.022	8.605	2	1 1/4	3 9/16	B	6.6	1.7
40	60BTB40	2012	9.980	9.559	2	1 1/4	3 9/16	B	8.3	1.7
42	60BTB42	2012	10.458	10.036	2	1 1/4	3 9/16	B	10.0	1.7
45	60BTB45	2012	11.175	10.752	2	1 1/4	3 9/16	B	11.5	1.7
48	60BTB48	2012	11.893	11.467	2	1 1/4	3 9/16	B	13.2	1.7
54	60BTB54	2517	13.327	12.899	2 1/2	1 3/4	4 1/4	B	17.1	3.5
60	60BTB60	2517	14.761	14.330	2 1/2	1 3/4	4 1/4	B	21.0	3.5
70	60BTB70	2517	17.150	16.717	2 1/2	1 3/4	4 1/4	B	27.6	3.5
72	60BTB72	2517	17.628	17.194	2 1/2	1 3/4	4 1/4	B	30.0	3.5
80	60BTB80	2517	19.539	19.103	2 1/2	1 3/4	4 1/4	B	36.3	3.5
84	60BTB84	2517	20.494	20.058	2 1/2	1 3/4	4 1/4	B	40.6	3.5

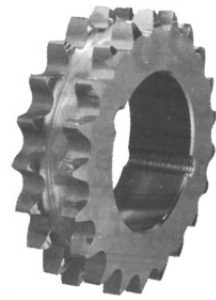
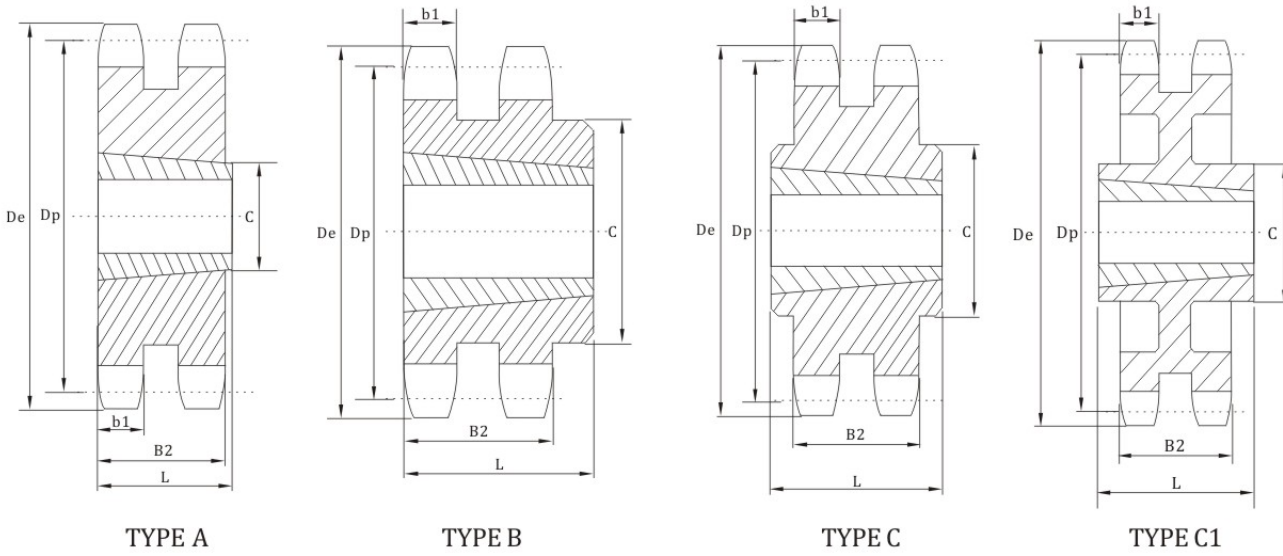
★ Has recessed groove in hub for chain clearance.



# Taper Bore Sprockets American Standard Series

No.60-2

◇ Pitch 3/4" ◇ Roller Φ 0.468" ◇ Tooth width b1 0.444" ◇ Tooth width B2 1.341"



## Double-Taper Bushed

No. Teeth	Number	Bushing	De	Dp	Max. Bore	L	C	Type	Weight (Approx.)	
									Rim Only	Bushing Only
13	D60BTB13H	1215	3.493	3.134	1 1/4	1 1/2	2 1/4	B	1.2	1.6
14	D60BTB14H	1215	3.736	3.371	1 1/4	1 1/2	2 1/2	B	1.6	1.7
15	D60BTB15H	1615	3.979	3.607	1 5/8	1 1/2	2 13/16	B	1.3	1.8
16	D60BTB16H	1615	4.221	3.844	1 5/8	1 1/2	3	B	2.2	2.3
17	D60BTB17H	1615	4.462	4.082	1 5/8	1 1/2	3 1/4	B	2.5	2.8
18	D60BTB18H	2012	4.704	4.319	2	1 1/4		A	3.0	2.4
19	D60BTB19H	2012	4.945	4.557	2	1 1/4		A	3.5	2.9
20	D60BTB20H	2517	5.185	4.794	2 1/2	1 3/4	3 5/16	B	4.0	2.9
21	D60BTB21H	2517	5.426	5.032	2 1/2	1 3/4	4 3/16	B	5.0	3.8
25	D60BTB25H	2517	6.387	4.984	2 1/2	1 3/4	5 7/32	B	7.5	7.4
30	D60BTB30	2517	7.586	7.175	2 1/2	1 3/4	6 13/32	B	13.5	13.3
36	D60BTB36	2517	9.022	8.605	2 1/2	1 3/4	4 1/4	C	17.5	17.4
42	D60BTB42	2517	10.458	10.036	2 1/2	1 3/4	4 1/4	C	25.5	25.0
45	D60BTB45	2517	11.176	10.752	2 1/2	1 3/4	4 1/4	C	29.5	29.3
52	D60BTB52	2517	12.849	12.422	2 1/2	1 3/4	4 1/4	C	41.0	40.3
60	D60BTB60	2517	14.761	14.330	2 1/2	1 3/4	4 1/4	C1	32.5	33.5
68	D60BTB68	2517	16.672	16.240	2 1/2	1 3/4	4 1/2	C1	36.5	43.2
76	D60BTB76	3020	18.583	18.149	3	2	5 1/4	C1	42.5	47.8
95	D60BTB95	3020	23.121	22.684	3	2	5 1/4	C1	48.5	69.8

NOTE: Double 60 stock sprockets with 25 teeth or less have hardened teeth.

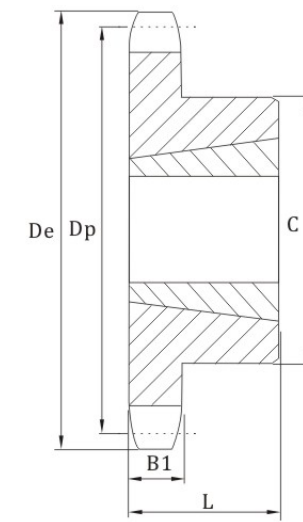
# Taper Bore Sprockets American Standard Series

No.80

◇ Pitch 1" ◇ Roller Φ 0.625" ◇ Tooth width B1 0.575"

## Single-Taper Bushed With Hardened Teeth

No. Teeth	Number
10	80BTB10H
11	80BTB11H
12	80BTB12H
13	80BTB13H
14	80BTB14H
15	80BTB15H
16	80BTB16H
17	80BTB17H
18	80BTB18H
19	80BTB19H
20	80BTB20H
21	80BTB21H
22	80BTB22H
23	80BTB23H
24	80BTB24H
25	80BTB25H
26	80BTB26H
27	80BTB27H
28	80BTB28H
30	80BTB30H



TYPE B



## Single-Taper Bushed

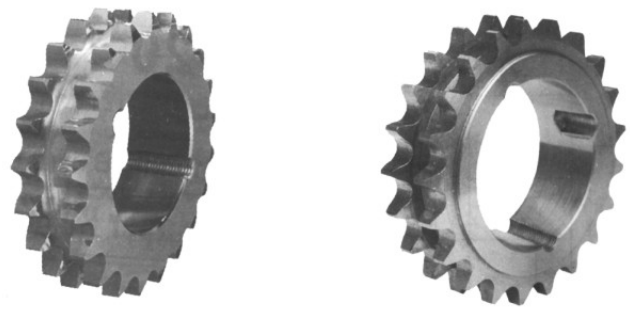
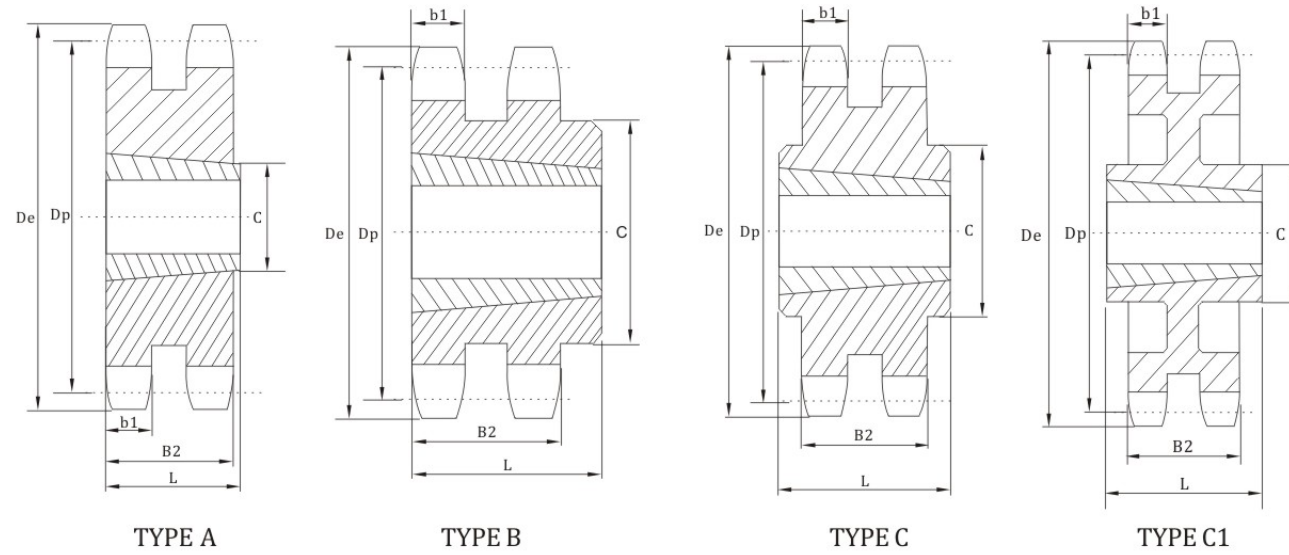
No. Teeth	Number	Bushing	De	Dp	Max. Bore	L	C	Type	Weight (Approx.)	
									Rim Only	Bushing Only
10	80BTB10	1215	3.678	3.236	1 1/4	1 1/2	2 3/8 ★	B	1.1	.8
11	80BTB11	1215	4.006	3.549	1 1/4	1 1/2	2 15/32 ★	B	1.5	.8
12	80BTB12	1615	4.332	3.864	1 5/8	1 1/2	3 ★	B	1.8	1.2
13	80BTB13	1615	4.657	4.179	1 5/8	1 1/2	3	B	2.3	1.2
14	80BTB14	1615	4.982	4.494	1 5/8	1 1/2	3 1/4	B	2.5	1.2
15	80BTB15	1615	5.305	4.810	1 5/8	1 1/2	3 3/4	B	2.7	1.2
16	80BTB16	2012	5.627	5.126	2	1 1/4	3 5/16	B	2.8	1.7
17	80BTB17	2012	5.950	5.442	2	1 1/4	3 7/16	B	3.1	1.7
18	80BTB18	2012	6.271	5.759	2	1 1/4	3 9/16	B	2.6	1.7
19	80BTB19	2012	6.593	6.076	2	1 1/4	3 11/16	B	4.1	1.7
20	80BTB20	2517	6.914	6.392	2 1/2	1 3/4	4 1/4	B	5.5	1.7
21	80BTB21	2517	7.235	6.710	2 1/2	1 3/4	4 1/4	B	6.0	3.5
22	80BTB22	2517	7.555	7.027	2 1/2	1 3/4	4 1/4	B	6.5	3.5
23	80BTB23	2517	7.875	7.344	2 1/2	1 3/4	4 1/4	B	7.0	3.5
24	80BTB24	2517	8.196	7.661	2 1/2	1 3/4	4 1/4	B	7.5	3.5
25	80BTB25	2517	8.516	7.979	2 1/2	1 3/4	4 1/4	B	8.1	3.5
26	80BTB26	2517	8.836	8.296	2 1/2	1 3/4	4 1/4	B	8.8	3.5
27	80BTB27	2517	9.156	8.614	2 1/2	1 3/4	4 1/4	B	9.0	3.5
28	80BTB28	2517	9.475	8.931	2 1/2	1 3/4	4 1/4	B	9.5	3.5
30	80BTB30	2517	10.114	9.567	2 1/2	1 3/4	4 1/4	B	11.5	3.5
32	80BTB32	2517	10.753	10.202	2 1/2	1 3/4	4 1/4	B	12.0	3.5
35	80BTB35	2517	11.711	11.156	2 1/2	1 3/4	4 1/4	B	15.2	3.5
36	80BTB36	2517	12.030	11.474	2 1/2	1 3/4	4 1/4	B	17.0	3.5
40	80BTB40	2517	13.306	12.746	2 1/2	1 3/4	4 1/4	B	21.0	3.5
45	80BTB45	2517	14.901	14.336	2 1/2	1 3/4	4 1/4	B	26.5	3.5
48	80BTB48	2517	15.857	15.290	2 1/2	1 3/4	4 1/4	B	29.5	3.5
54	80BTB54	2517	17.769	17.198	2 1/2	1 3/4	4 1/4	B	38.5	3.5
60	80BTB60	2517	19.681	19.107	2 1/2	1 3/4	4 1/4	B	45.0	3.5
70	80BTB70	3020	22.867	22.289	3	2	5 1/4	B	52.3	6.5
80	80BTB80	3020	26.052	25.471	3	2	5 1/4	B	69.2	6.5

★ Has recessed groove in hub for chain clearance.

# Taper Bore Sprockets American Standard Series

No.80-2

◇ Pitch 1" ◇ Roller Φ 0.625" ◇ Tooth width b1 0.557" ◇ Tooth width B2 1.710"



## Double-Taper Bushed

No. Teeth	Number	Bushing	De	Dp	Max. Bore	L	C	Type	Weight (Approx.)	
									Rim Only	Bushing Only
13	D80ATB13H	1615	4.657	4.179	1 5/8	1 1/2		A	3.4	1.2
14	D80ATB14H	2012	4.982	4.494	2	1 1/4		A	3.5	1.7
15	D80ATB15H	2012	5.305	4.810	2	1 1/4		A	4.3	1.7
16	D80ATB16H	2517	5.627	5.126	2 1/2	1 3/4	3 3/8	A	3.8	3.5
17	D80ATB17H	2517	5.950	5.442	2 1/2	1 3/4	3 3/8	A	5.1	3.5
18	D80ATB18H	2517	6.271	5.759	2 1/2	1 3/4	3 3/8	A	6.4	3.5
19	D80ATB19H	3020	6.593	6.076	3	2	5	B	5.6	6.5
20	D80ATB20H	3020	6.914	6.392	3	2	5 1/4	B	7.1	6.5
21	D80ATB21H	3020	7.235	6.710	3	2	5 1/16	B	8.9	6.5
25	D80ATB25H	3020	8.516	7.979	3	2	6 7/8	B	16.5	6.5
30	D80CTB30	3020	10.114	9.567	3	2	5 1/4	C	25.1	6.5
36	D80CTB36	3020	12.030	11.474	3	2	5 1/4	C	39.4	6.5
42	D80CTB42	3020	13.944	13.392	3	2	5 1/4	C	36.4	6.5
45	D80CTB45	3020	14.901	14.336	3	2	5 1/4	C1	41.4	6.5
52	D80CTB52	3020	17.132	16.562	3	2	5 1/4	C1	56.2	6.5
60	D80CTB60	3020	19.681	19.107	3	2	5 1/4	C1	66.3	6.5
68	D80CTB68	3020	22.230	21.653	3	2	5 1/4	C1	72.0	6.5
76	D80CTB76	3020	24.778	24.198	3	2	5 1/4	C1	89.1	6.5
95	D80CTB95	3020	30.828	30.245	3	2	5 1/4	C1	112	6.5

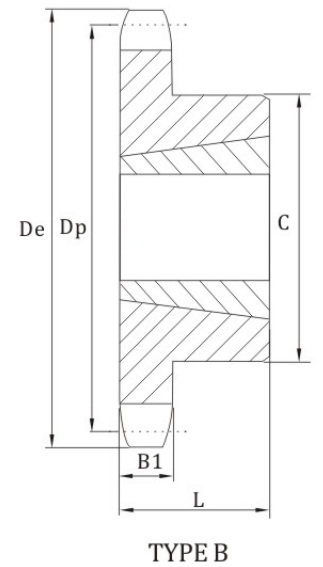
# Taper Bore Sprockets American Standard Series

No.100  
No.120

◇ Pitch 1- 1/4" ◇ Roller Φ 0.750" ◇ Tooth width B1 0.692"

## Single-Taper Bushed

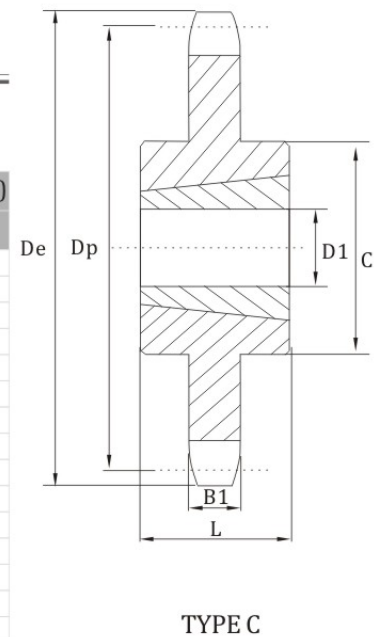
No. Teeth	Number	Bushing	De	Dp	Max. Bore	L	C	Type	Weight (Approx.)	
									Rim Only	Bushing Only
11	100BTB11	1615	5.007	4.437	1 5/8	1 1/2	3	B	2.7	1.2
12	100BTB12	1615	5.415	4.830	1 5/8	1 1/2	3 1/4	B	3.5	1.2
13	100BTB13	2012	5.821	5.223	2	1 1/4	3 3/16	B	3.6	1.7
14	100BTB14	2012	6.227	5.617	2	1 1/4	4 1/16	B	3.9	1.7
15	100BTB15	2517	6.631	6.012	2 1/2	1 3/4	4 1/4	B	5.0	3.5
16	100BTB16	2517	7.034	6.407	2 1/2	1 3/4	4 1/2	B	6.4	3.5
17	100BTB17	2517	7.437	6.803	2 1/2	1 3/4	4 1/2	B	7.1	3.5
18	100BTB18	2517	7.839	7.198	2 1/2	1 3/4	4 1/2	B	7.8	3.5
19	100BTB19	2517	8.241	7.594	2 1/2	1 3/4	4 1/2	B	8.7	3.5
20	100BTB20	2517	8.642	7.991	2 1/2	1 3/4	4 1/2	B	9.6	3.5
21	100BTB21	2517	9.043	8.387	2 1/2	1 3/4	4 1/2	B	10.6	3.5
22	100BTB22	2517	9.444	8.783	2 1/2	1 3/4	4 1/2	B	11.0	3.5
24	100BTB24	2517	10.245	9.577	2 1/2	1 3/4	4 1/2	B	13.0	3.5
26	100BTB26	2517	11.045	10.370	2 1/2	1 3/4	4 1/2	B	15.0	3.5
28	100BTB28	3020	11.844	11.164	3	2	5 1/4	B	16.5	6.5
30	100BTB30	3020	12.643	11.958	3	2	5 1/4	B	22.0	6.5
32	100BTB32	3020	13.442	12.753	3	2	5 1/4	B	23.0	6.5
35	100BTB35	3020	14.639	13.945	3	2	5 1/4	B	28.0	6.5
36	100BTB36	3020	15.038	14.342	3	2	5 1/4	B	31.0	6.5
40	100BTB40	3020	16.633	15.932	3	2	5 1/4	B	37.0	6.5
45	100BTB45	3020	18.626	17.919	3	2	5 1/4	B	46.0	6.5
48	100BTB48	3020	19.821	19.112	3	2	5 1/4	B	53.0	6.5
54	100BTB54	3020	22.212	21.498	3	2	5 1/4	B	62.0	6.5
60	100BTB60	3020	24.601	23.884	3	2	5 1/4	B	72.0	6.5



◇ Pitch 1 1/2" ◇ Roller Φ 0.875" ◇ Tooth width B1 0.924"

## Single-Taper Bushed

No. Teeth	Number	Bushing	De	Dp	Max. Bore	L	C	Type	Weight (Approx.)	
									Rim Only	Bushing Only
12	120BTB12	2012	6.498	5.796	2	1 1/4	3 3/16	B	5.5	1.7
13	120BTB13	2517	6.896	6.268	2 1/2	1 3/4	4 1/4	B	6.0	3.5
14	120BTB14	2517	7.472	6.741	2 1/2	1 3/4	4 1/4	B	7.0	3.5
15	120BTB15	2517	7.957	7.215	2 1/2	1 3/4	4 1/4	B	8.0	3.5
16	120BTB16	3020	8.441	7.689	3	2	5 1/4	B	10.0	6.5
17	120BTB17	3020	8.924	8.163	3	2	5 1/4	B	11.0	6.5
18	120BTB18	3020	9.407	8.638	3	2	5 1/4	B	12.0	6.5
19	120BTB19	3020	9.889	9.113	3	2	5 1/4	B	14.0	6.5
20	120BTB20	3020	10.371	9.588	3	2	5 1/4	B	15.5	6.5
21	120BTB21	3020	10.851	10.064	3	2	5 1/4	B	17.5	6.5
24	120BTB24	3020	12.294	11.492	3	2	5 1/4	B	23.5	6.5
26	120BTB26	3020	13.254	12.444	3	2	5 1/4	B	28.5	6.5
30	120BTB30	3020	15.171	14.351	3	2	5 1/4	B	33.5	6.5
35	120CTB35	3020	17.566	16.734	3	2	5 1/4	C	52.0	6.5
45	120CTB45	3020	22.351	21.503	3	2	5 7/8	C	82.0	9.2
60	120CTB60	3535	29.522	28.661	3 1/2	3 1/2	6 1/2	C	140.0	14.0
70	120CTB70	3535	34.301	33.434	3 1/2	3 1/2	6 1/2	C	175.0	14.0
80	120CTB80	3535	39.078	38.207	3 1/2	3 1/2	6 1/2	C	220.0	14.0



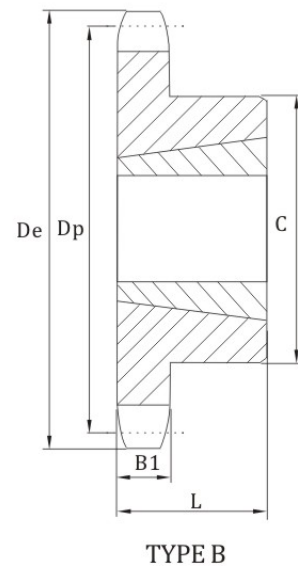
# Taper Bore Sprockets American Standard Series

No.140  
No.160

◇ Pitch 1-3/4" ◇ Roller Φ 1.000" ◇ Tooth width B1 0.924"

## Single-Taper Bushed

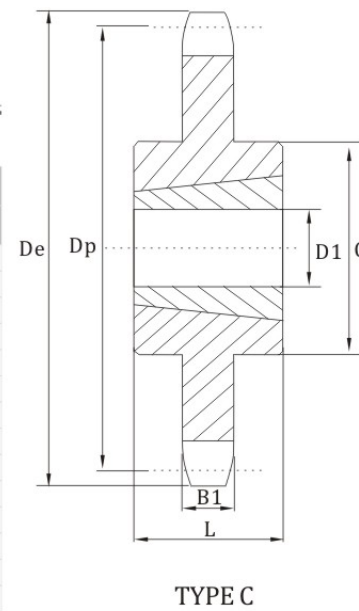
No. Teeth	Number	Bushing	De	Dp	Max. Bore	L	C	Type	Weight (Approx.)	
									Rim Only	Bushing Only
12	140BTB12	2517	7.581	6.762	2 1/2	1 3/4	4 1/4	B	7.0	3.5
13	140BTB13	3020	8.150	7.313	3	2	5 1/4	B	8.0	6.5
14	140BTB14	3020	8.718	7.864	3	2	5 1/4	B	10.0	6.5
15	140BTB15	3020	9.283	8.417	3	2	5 1/4	B	12.0	6.5
16	140BTB16	3020	9.848	8.970	3	2	5 1/4	B	14.0	6.5
17	140BTB17	3020	10.411	9.524	3	2	5 1/4	B	16.0	6.5
18	140BTB18	3020	10.975	10.078	3	2	5 1/4	B	18.0	6.5
19	140BTB19	3020	11.537	10.632	3	2	5 1/4	B	20.0	6.5
21	140BTB21	3020	12.660	11.742	3	2	5 1/4	B	24.0	6.5
26	140BTB26	3020	15.463	14.518	3	2	5 1/4	B	40.0	6.5
35	140BTB35	3535	20.494	19.523	3 1/2	3 1/2	6 1/2	C	78.0	14
45	140BTB45	4040	26.076	25.087	4	4	7 3/4	C	118.0	22
60	140BTB60	4040	34.442	33.438	4	4	7 3/4	C	188.0	22
70	140BTB70	4040	40.017	39.006	4	4	7 3/4	C	241.0	22



◇ Pitch 2" ◇ Roller Φ 1.125" ◇ Tooth width B1 1.156"

## Single-Taper Bushed

No. Teeth	Number	Bushing	De	Dp	Max. Bore	L	C	Type	Weight (Approx.)	
									Rim Only	Bushing Only
11	140BTB11	2517	8.011	7.099	2 1/2	1 3/4	4 1/4	B	9.0	3.5
12	140BTB12	3020	8.664	7.727	3	2	5 1/4	B	11.0	6.5
13	140BTB13	3020	9.314	8.357	3	2	5 1/4	B	13.0	6.5
14	140BTB14	3020	9.963	8.988	3	2	5 1/4	B	16.0	6.5
15	140BTB15	3535	10.609	9.620	3 1/2	3 1/2	6 1/2	B	25.0	14.0
16	140BTB16	3535	11.255	10.252	3 1/2	3 1/2	6 1/2	B	28.0	14.0
17	140BTB17	3535	11.899	10.885	3 1/2	3 1/2	6 1/2	B	32.0	14.0
18	140BTB18	3535	12.543	11.518	3 1/2	3 1/2	6 1/2	B	35.0	14.0
19	140BTB19	3535	13.185	12.151	3 1/2	3 1/2	6 1/2	B	39.0	14.0
21	140BTB21	3535	14.470	13.419	3 1/2	3 1/2	6 1/2	B	48.0	14.0
26	140BTB26	3535	17.671	16.593	3 1/2	3 1/2	6 1/2	B	68.0	14.0
35	140BTB35	4040	23.422	22.312	4	4	7 3/4	C	118	14.0
45	140BTB45	4040	29.802	28.671	4	4	7 3/4	C	186	22.0
60	140BTB60	4545	39.362	38.215	4 1/2	4 1/2	7 3/4	C	292	30.0



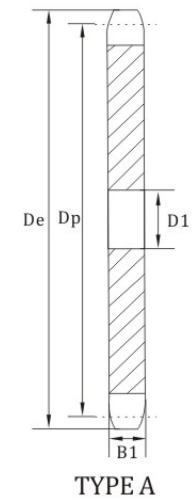
# Double Pitch Sprockets American Standard Series

No.2040  
No.2042

◇ Pitch 1" ◇ Tooth width B1 0.284"

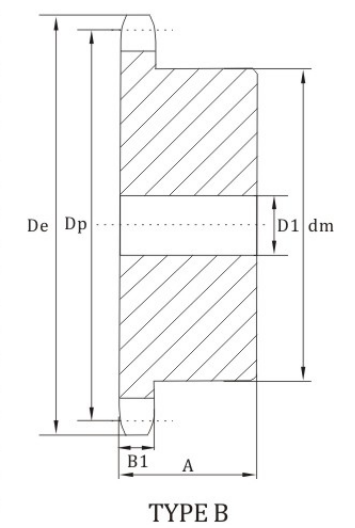
## Conveyor or Drive Series-Standard Roller Double Pitch-2040/C2040

No. Teeth Double Duly	De	Dp	Number	Type	D1		Dm	A	Wt. Lbs. (Approx.)
					Min	Max.			
11	2.000	1.852	2040B11	B	1/2	13/16	1 3/8 ★	7/8	.34
12	2.170	2.000	2040B12	B	1/2	13/16	1 7/16 ★	7/8	.44
13	2.330	2.152	2040B13	B	1/2	21/32	1 9/16 ★	7/8	.48
14	2.490	2.305	2040B14	B	1/2	1 1/32	1 11/16 ★	7/8	.60
15	2.650	2.458	2040B15	B	5/8	1 7/32	1 23/32	7/8	.66
16	2.810	2.613	2040B16	B	5/8	1 9/32	1 7/8	7/8	.76
17	2.980	2.768	2040B17	B	5/8	1 5/16	2 3/64	1	1.00
18	3.140	2.924	2040B18	B	5/8	1 15/32	2 7/32	1	1.16
19	3.300	3.080	2040B19	B	5/8	1 5/8	2 3/8	1	1.36
20	3.460	3.236	2040B20	B	5/8	1 3/4	2 25/64	1	1.54
21	3.620	3.392	2040B21	B	5/8	1 25/32	2 45/64	1	1.74
22	3.780	3.549	2040B22	B	5/8	1 7/8	2 7/8	1	1.92
23	3.940	3.706	2040B23	B	5/8	2	3	1	2.16
24	4.100	3.864	2040B24	B	5/8	2 1/4	3 1/4	1	2.44
25	4.260	4.021	2040B25	B	5/8	2 1/4	3 1/4	1	2.48
26	4.420	4.179	2040B26	C	5/8	2 1/4	3 1/4	1	2.60
28	4.740	4.494	2040B28	C	5/8	2 1/4	3 1/4	1	.34
30	5.060	4.810	2040B30	C	5/8	2 1/4	3 1/4	1	.33



## Conveyor Series-Carrier Roller Double Pitch-2042/C2042

No. Teeth Double Duly	De	Dp	Number	Type	D1		Dm	A	Wt. Lbs. (Approx.)	Type	Number	D1	Wt. Lbs. (Approx.)
					Min	Max.							
8	3.010	2.613	2042B8	B	5/8	1 9/32	1 7/8	7/8	.72				
9	3.350	2.924	2042B9	B	5/8	1 15/32	2 7/32	7/8	1.02				
10	3.680	3.236	2042B10	B	5/8	1 3/4	2 25/64	1	1.50				
11	4.000	3.549	2042B11	B	5/8	1 7/8	2 7/8	1	1.68				
12	4.330	3.864	2042B12	B	5/8	2 1/4	3 1/16	1	2.22				
13	4.660	4.179	2042B13	B	5/8	2 1/4	3 1/4	1	2.56				
14	4.980	4.494	2042B14	B	5/8	2 1/4	3 1/4	1	2.72				
15	5.300	4.810	2042B15	B	5/8	2 1/4	3 1/4	1	2.90				
16	5.630	5.126	2042B16	B	5/8	2 1/4	3 1/4	1	3.10	A	2042A16	19/32	1.38
17	5.950	5.442	2042B17	B	5/8	2 1/4	3 1/4	1	3.40	A	2042A17	19/32	1.66
18	6.270	5.759	2042B18	B	5/8	2 1/4	3 1/4	1	3.56	A	2042A18	19/32	1.88
19	6.590	6.076	2042B19	B	5/8	2 1/4	3 1/4	1	3.72	A	2042A19	19/32	2.06
20	6.910	6.392	2042B20	B	3/4	2 3/8	3 1/2	1 1/8	4.72	A	2042A20	19/32	2.40
21	7.240	6.710	2042B21	B	3/4	2 3/8	3 1/2	1 1/8	4.84	A	2042A21	23/32	2.62
22	7.560	7.027	2042B22	B	3/4	2 3/8	3 1/2	1 1/8	5.04	A	2042A22	23/32	2.88
23	7.880	7.344	2042B23	B	3/4	2 3/8	3 1/2	1 1/8	5.18	A	2042A23	23/32	3.14
24	8.200	7.661	2042B24	B	3/4	2 3/8	3 1/2	1 1/8	5.58	A	2042A24	23/32	3.22
25	8.520	7.979	2042B25	B	3/4	2 3/8	3 1/2	1 1/8	5.96	A	2042A25	23/32	3.50
26	8.840	8.296	2042B26	B	3/4	2 3/8	3 1/2	1 1/8	6.22	A	2042A26	23/32	3.74
28	9.480	8.931	2042B28	B	3/4	2 3/8	3 1/2	1 1/8	6.78	A	2042A27	23/32	4.76
30	10.110	9.567	2042B30	B	3/4	2 3/8	3 1/2	1 1/8	7.56	A	2042A28	23/32	5.08



★ Has recessed groove in hub for chain clearance.

Maximum bores shown will accommodate standard keyseat and setscrew over keyseat.

Slightly larger bores are possible with no keyseat, shallow keyseat, or setscrew at angle to keyseat.

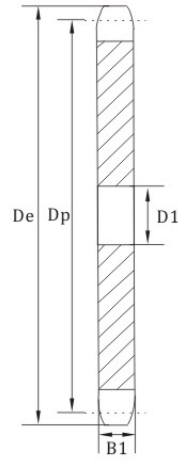
# Double Pitch Sprockets American Standard Series

No.2050  
No.2052

◇ Pitch 1-1/4" ◇ Tooth width B1 0.343"

## Conveyor or Drive Series-Standard Roller Double Pitch-2050/C2050

No. Teeth Double Duly	De	Dp	Number	Type	D1		Dm	A	Wt. Lbs. (Approx.)	Type	Number	D1	Wt. Lbs. (Approx.)	
					Min	Max.								
11	2.500	2.315	2050B11	B	5/8	13/16	1 3/4	★	1	.62				
12	2.710	2.500	2050B12	B	5/8	1	1 63/64		1	.80				
13	2.910	2.690	2050B13	B	5/8	1 7/32	1 23/64		1	.82				
14	3.110	2.881	2050B14	B	5/8	1 1/32	1 15/16		1	1.00				
15	3.320	3.073	2050B15	B	5/8	1 13/32	2 5/32		1	1.22				
16	3.520	3.266	2050B16	B	5/8	1 19/32	2 23/64		1	1.44				
17	3.720	3.460	2050B17	B	5/8	1 3/4	2 9/16		1	1.68				
18	3.920	3.655	2050B18	B	5/8	1 25/32	2 25/32		1	1.94				
19	4.120	3.850	2050B19	B	5/8	1 31/32	2 63/64		1	2.24				
20	4.320	4.045	2050B20	B	3/4	2	3		1	2.30				
21	4.520	4.241	2050B21	B	3/4	2	3		1	2.40				
22	4.720	4.437	2050B22	B	3/4	2	3		1	2.54				
23	4.920	4.633	2050B23	B	3/4	2	3		1	2.66				
24	5.120	4.830	2050B24	B	3/4	2	3		1 1/4	3.30	A	2050A24	23/32	1.58
25	5.320	5.026	2050B25	B	3/4	2	3		1 1/4	3.42	A	2050A25	23/32	1.68
26	5.520	5.223	2050B26	B	3/4	2	3		1 1/4	3.62	A	2050A26	23/32	1.88
28	5.920	5.617	2050B28	B	3/4	2	3		1 1/4	3.78	A	2050A28	23/32	2.22
30	6.320	6.012	2050B30	B	3/4	2 1/4	3 1/4		1 1/4	4.58	A	2050A30	23/32	2.54



TYPE A

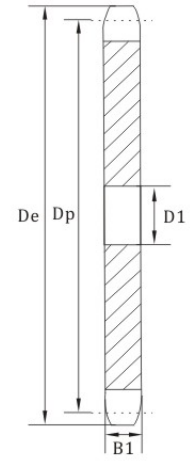
# Double Pitch Sprockets American Standard Series

No.2060  
No.2062

◇ Pitch 1-1/2" ◇ Tooth width B1 0.459"

## Conveyor or Drive Series-Standard Roller Double Pitch-2060/C2060

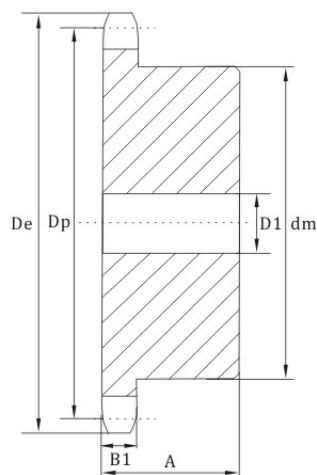
No. Teeth Double Duly	De	Dp	Number	Type	D1		Dm	A	Wt. Lbs. (Approx.)	Type	Number	D1	Wt. Lbs. (Approx.)	
					Min	Max.								
11	3.000	2.773	2060B11	B	3/4	1	2 1/16	★	1 1/4	1.14				
12	3.250	3.000	2060B12	B	3/4	1 1/4	2 3/8	★	1 1/4	1.46				
13	3.490	3.228	2060B13	B	3/4	1 5/16	2 5/8		1 1/4	1.52				
14	3.740	3.457	2060B14	B	3/4	1 1/16	2 7/16		1 1/4	1.86				
15	3.980	3.688	2060B15	B	3/4	1 3/8	2 9/16		1 1/4	2.24				
16	4.220	3.920	2060B16	B	3/4	1 27/32	2 27/32		1 1/4	2.64				
17	4.460	4.152	2060B17	B	3/4	2 1/32	2 1/2		1 1/4	3.08				
18	4.700	4.386	2060B18	B	3/4	2 1/16	2 13/16		1 1/4	3.56				
19	4.940	4.620	2060B19	B	3/4	2 11/32	3 1/2		1 1/4	3.94				
20	5.190	4.854	2060B20	B	3/4	2 5/16	3 7/8		1 1/4	4.50				
21	5.430	5.089	2060B21	B	3/4	2 3/8	4		1 1/4	5.02				
22	5.670	5.324	2060B22	B	3/4	2 5/8	4		1 1/4	5.26				
23	5.910	5.560	2060B23	B	3/4	2 3/4	4		1 1/4	5.54				
24	6.150	5.796	2060B24	B	3/4	2 5/8	4		1 1/4	5.90	A	2060A24	23/32	3.02
25	6.390	6.032	2060B25	B	3/4	2 5/8	4		1 1/4	6.08	A	2060A25	23/32	3.36
26	6.630	6.268	2060B26	B	3/4	2 5/8	4		1 1/4	6.36	A	2060A26	23/32	3.58
28	7.110	6.741	2060B28	B	3/4	2 3/4	4		1 1/4	7.02	A	2060A28	23/32	4.12
30	7.590	7.215	2060B30	B	3/4	2 3/4	4		1 1/4	7.54	A	2060A30	23/32	4.88



TYPE A

## Conveyor Series-Carrier Roller Double Pitch-2052/C2052

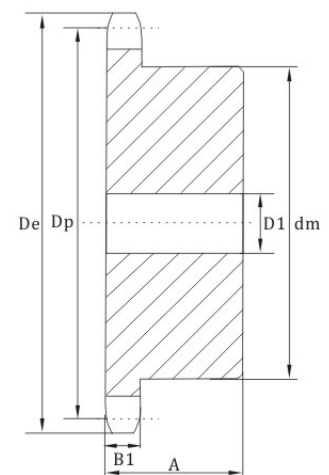
No. Teeth Double Duly	De	Dp	Number	Type	D1		Dm	A	Wt. Lbs. (Approx.)	Type	Number	D1	Wt. Lbs. (Approx.)	
					Min	Max.								
8	3.770	3.266	2052B8	B	5/8	1 19/32	2 27/64		1	1.38				
9	4.190	3.655	2052B9	B	5/8	1 25/32	2 25/32		1	1.92				
10	4.600	4.045	2052B10	B	5/8	2	3		1	2.30				
11	5.010	4.437	2052B11	B	5/8	2	3		1	2.54				
12	5.420	4.830	2052B12	B	3/4	2	3		1 1/4	3.20	A	2052A12	23/32	1.58
13	5.820	5.223	2052B13	B	3/4	2	3		1 1/4	3.48	A	2052A13	23/32	1.82
14	6.230	5.617	2052B14	B	3/4	2	3		1 1/4	3.88	A	2052A14	23/32	2.28
15	6.630	6.012	2052B15	B	3/4	2 1/4	3 3/4		1 1/4	4.46	A	2052A15	23/32	2.46
16	7.030	6.407	2052B16	B	3/4	2 1/4	3 3/4		1 1/4	4.80	A	2052A16	23/32	2.88
17	7.440	6.803	2052B17	B	3/4	2 1/4	3 3/4		1 1/4	3.34	A	2052A17	23/32	3.28
18	7.840	7.198	2052B18	B	3/4	2 1/4	3 3/4		1 1/4	3.64	A	2052A18	23/32	3.64
19	8.240	7.595	2052B19	B	3/4	2 1/4	3 3/4		1 1/4	6.04	A	2052A19	23/32	4.12
20	8.640	7.991	2052B20	B	3/4	2 1/4	3 3/4		1 1/4	6.48	A	2052A20	23/32	4.72
21	9.040	8.387	2052B21	B	3/4	2 1/4	3 3/4		1 1/4	7.00	A	2052A21	23/32	5.08
22	9.440	8.783	2052B22	B	3/4	2 1/4	3 3/4		1 1/4	7.30	A	2052A22	23/32	5.20
23	9.850	9.180	2052B23	B	1	2 3/4	3 3/4		1 1/4	8.66	A	2052A23	15/16	5.84
24	10.250	9.577	2052B24	B	15/16	2 3/4	3 3/4		1 1/4	9.32	A	2052A24	15/16	6.70
25	10.650	9.973	2052B25	B	15/16	2 3/4	3 3/4		1 1/4	10.30	A	2052A25	15/16	7.54
26	11.050	10.370	2052B26	B	15/16	2 3/4	3 3/4		1 1/4	11.00	A	2052A26	15/16	8.24
28	11.840	11.164	2052B28	B	15/16	2 3/4	3 3/4		1 1/4	11.70	A	2052A28	15/16	8.70
30	12.640	11.958	2052B30	B	15/16	2 3/4	3 3/4		1 1/4	12.90	A	2052A30	15/16	9.92



TYPE B

## Conveyor Series-Carrier Roller Double Pitch-2062/C2062

No. Teeth Double Duly	De	Dp	Number	Type	D1		Dm	A	Wt. Lbs. (Approx.)	Type	Number	D1	Wt. Lbs. (Approx.)	
					Min	Max.								
8	4.520	3.920	2062B8	B	3/4	1 27/32	2 27/32		1 1/4	2.60				
9	5.020	4.386	2062B9	B	3/4	2 9/32	3 11/32		1 1/4	3.48				
10	5.520	4.854	2062B10	B	3/4	2 5/16	3 59/64		1 1/4	4.54				
11	6.010	5.324	2062B11	B	3/4	2 3/8	4		1 1/4	5.20				
12	6.500	5.796	2062B12	B	3/4	2 3/8	4		1 1/4	5.70	A	2062A12	23/32	2.98
13	6.990	6.268	2062B13	B	3/4	2 3/8	4		1 1/4	6.28	A	2062A13	23/32	3.60
14	7.470	6.741	2062B14	B	3/4	2 3/8	4		1 1/4	6.82	A	2062A14	23/32	4.02
15	7.960	7.215	2062B15	B	3/4	2 3/8	4		1 1/4	7.48	A	2062A15	23/32	4.76
16	8.440	7.689	2062B16	B	3/4	2 3/8	4		1 1/4	8.18	A	2062A16	23/32	5.70
17	8.920	8.163	2062B17	B	1	2 3/4	4		1 1/4	8.82	A	2062A17	15/16	6.16
18	9.410	8.638	2062B18	B	1	2 3/4	4		1 1/4	9.36	A	2062A18	15/16	6.96
19	9.890	9.113	2062B19	B	1	2 3/4	4 1/4		1 1/4	11.10	A	2062A19	15/16	8.00
20	10.370	9.589	2062B20	B	15/16	2 3/4	4 1/4		1 1/4	11.66	A	2062A20	15/16	8.46
21	10.850	10.064	2062B21	B	15/16	2 3/4	4 1/4		1 1/4	13.24	A	2062A21	15/16	8.93
22	11.330	10.540	2062B22	B	15/16	2 3/4	4 1/4		1 1/4	13.78	A	2062A22	15/16	10.74
23	11.810	11.016	2062B23	B	15/16	2 3/4	4 1/4		1 1/4	14.90	A	2062A23	15/16	11.64
24	12.290	11.492	2062B24	B	15/16	2 3/4	4 1/4		1 1/4	15.66	A	2062A24	15/16	12.64
25	12.770	11.968	2062B25	B	15/16	2 3/4	4 1/4		1 1/4	16.80	A	2062A25	15/16	13.78
26	13.250	12.444	2062B26	B	15/16	2 3/4	4 1/4		1 1/4	20.20	A	2062A26	15/16	15.00
28	14.210	13.397	2062B28	B	1 1/4	2 3/4	4 1/4		1 3/4	21.86	A	2062A28	1 1/4	17.32
30	15.170	14.350	2062B30	B	1 1/4	2 3/4	4 1/4		1 1/4	26.00	A	2062A30	1 1/4	19.50



TYPE B

★ Has recessed groove in hub for chain clearance.  
Maximum bores shown will accommodate standard keyseat and setscrew over keyseat.  
Slightly larger bores are possible with no keyseat, shallow keyseat, or setscrew at angle to keyseat.

★ Has recessed groove in hub for chain clearance.  
Maximum bores shown will accommodate standard keyseat and setscrew over keyseat.  
Slightly larger bores are possible with no keyseat, shallow keyseat, or setscrew at angle to keyseat.

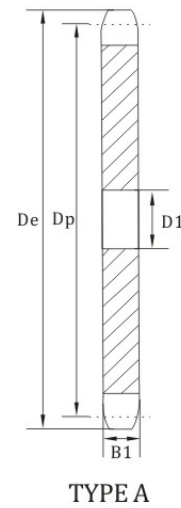
# Double Pitch Sprockets American Standard Series

No.2080  
No.2082

◇Pitch 2" ◇Tooth width B1 0.575"

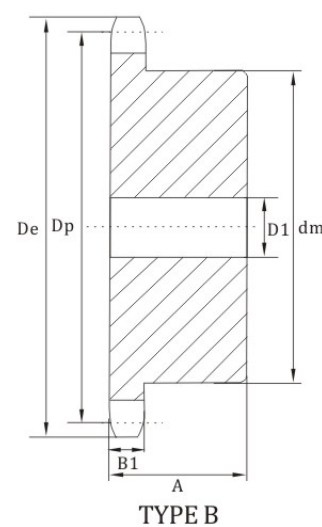
## Conveyor or Drive Series-Standard Roller Double Pitch-2080/C2080

No. Teeth Double Duly	De	Dp	Number	Type	D1		Dm	A	Wt. Lbs. (Approx.)	Type	Number	D1	Wt. Lbs. (Approx.)
					Min	Max.							
11	4.010	3.694	2080B11	B	1	1 1/2	2 13/16*	1 7/8	2.5				
12	4.330	4.000	2080B12	B	1	1 11/16	2 5/8	1 7/8	3.2				
13	4.660	4.304	2080B13	B	1	1 25/32	2 29/32	1 7/2	3.3				
14	4.980	4.610	2080B14	B	1	2 1/8	3 1/8	1 1/2	4.0				
15	5.300	4.917	2080B15	B	1	2 1/4	3 1/4	1 1/2	4.8				
16	5.630	5.226	2080B16	B	1	2 1/2	3 1/2	1 1/2	5.7				
17	5.950	5.536	2080B17	B	1	2 3/4	4	1 1/2	6.4	A	2080A17	1 5/16	3.4
18	6.270	5.848	2080B18	B	1	2 3/4	4 1/4	1 1/2	7.4	A	2080A18	1 5/16	3.8
19	6.590	6.160	2080B19	B	1	2 3/4	4 1/4	1 1/2	7.7	A	2080A19	1 5/16	4.3
20	6.910	6.472	2080B20	B	1	2 3/4	4 1/4	1 1/2	8.3	A	2080A20	1 5/16	4.8
21	7.230	6.785	2080B21	B	1	2 3/4	4 1/4	1 1/2	9.4	A	2080A21	1 5/16	5.3
22	7.560	7.099	2080B22	B	1	2 3/4	4 1/4	1 1/2	10.0	A	2080A22	1 5/16	5.8
23	7.880	7.413	2080B23	B	1	2 3/4	4 1/4	1 1/2	10.5	A	2080A23	1 5/16	6.4
24	8.200	7.727	2080B24	B	1	2 3/4	4 1/4	1 1/2	11.1	A	2080A24	1 5/16	7.1
25	8.520	8.042	2080B25	B	1	2 3/4	4 1/4	1 1/2	12.0	A	2080A25	1 5/16	7.5
26	8.840	8.357	2080B26	B	1 1/4	2 1/4	4 1/4	2	14.8	A	2080A26	1 3/16	8.3
28	9.480	8.988	2080B28	B	1 1/2	2 1/4	4 1/4	2	16.6	A	2080A28	1 3/16	9.2
30	10.110	9.620	2080B30	B	1 3/4	2 1/4	4 1/4	2	17.8	A	2080A30	1 3/16	10.7



## Conveyor Series-Carrier Roller Double Pitch-2082/C2082

No. Teeth Double Duly	De	Dp	Number	Type	D1		Dm	A	Wt. Lbs. (Approx.)	Type	Number	D1	Wt. Lbs. (Approx.)
					Min	Max.							
8	6.030	5.226	2082B8	B	1	2 7/16	3 5/16	1 7/8	6.4				
9	6.700	5.848	2082B9	B	1	2 3/4	4 1/4	1 7/8	8.2				
10	7.360	6.472	2082B10	B	1	2 3/4	4 1/4	1 7/8	9.2				
11	8.010	7.099	2082B11	B	1	2 3/4	4 1/4	1 7/8	10.1	A	2082A11	1 5/16	5.7
12	8.660	7.727	2082B12	B	1	3 1/4	4 1/4	1 7/8	11.2	A	2082A12	1 5/16	6.8
13	9.310	8.357	2082B13	B	1 1/4	3 1/4	4 1/4	2	15.0	A	2082A13	1 5/16	7.7
14	9.960	8.988	2082B14	B	1 1/4	3 1/4	4 1/4	2	15.8	A	2082A14	1 5/16	9.1
15	10.610	9.620	2082B15	B	1 1/4	3 1/4	4 1/4	2	17.8	A	2082A15	1 5/16	10.7
16	11.250	10.252	2082B16	B	1 1/4	3 1/4	4 1/4	2	19.3	A	2082A16	1 5/16	12.4
17	11.900	10.885	2082B17	B	1 1/4	3 1/4	4 1/4	2	21.4	A	2082A17	1 5/16	14.1
18	12.540	11.518	2082B18	B	1 1/4	3 1/4	4 1/4	2	22.9	A	2082A18	1 5/16	15.4
19	13.190	12.151	2082B19	B	1 1/4	3 1/4	4 1/4	2	24.4	A	2082A19	1 5/16	18.0
20	13.830	12.785	2082B20	B	1 1/4	3 1/4	4 1/4	2	26.7	A	2082A20	1 5/16	19.2
21	14.470	13.419	2082B21	B	1 1/4	3 1/4	4 1/4	2	28.4	A	2082A21	1 5/16	20.8
22	15.110	14.053	2082B22	B	1 1/4	3 1/4	4 1/4	2	39.6	A	2082A22	1 1/4	23.7
23	15.750	14.688	2082B23	B	1 1/4	3 1/4	4 1/4	2	32.2	A	2082A23	1 1/4	24.9
24	16.390	15.323	2082B24	B	1 1/4	3 1/4	4 1/4	2	34.9	A	2082A24	1 1/4	27.6
25	17.030	15.958	2082B25	B	1 1/4	3 1/4	4 1/4	2	37.8	A	2082A25	1 1/4	30.2
26	17.670	16.593	2082B26	B	1 1/4	3 1/4	5 1/4	2	41.5	A	2082A26	1 1/4	32.8
28	18.950	17.863	2082B28	B	1 1/2	3 1/2	5 1/4	2	47.7	A	2082A28	1 1/4	38.6
30	20.230	19.134	2082B30	B	1 1/2	3 1/2	5 1/4	2	54.5	A	2082A30	1 1/4	43.8



\* Has recessed groove in hub for chain clearance.  
Maximum bores shown will accommodate standard keyseat and setscrew over keyseat.  
Slightly larger bores are possible with no keyseat, shallow keyseat, or setscrew at angle to keyseat.

# Sprockets With Split Taper Bushings American Standard Series

No.35  
No.41

◇Pitch 3/8" ◇Roller Φ 0.200" ◇Tooth width B1 0.168"

## Single-Split Taper Bushed

Number	Bushing	Bore Range	De	Dp	No. Teeth	Type	B1	OL	L	P	C	H	Wt. Less (Bushing)	
35G15	G	3/8 - 1"	1.99"	1.804"	15	3	.168"	1 1/32"	1"	1"	5/32"	2"	3	
35G16	G	3/8 - 1"	2.10	1.922	16	3	.168	1 1/32	1	1	5/32	2	3	
35G17	G	3/8 - 1	2.23	2.041	17	3	.168	1 1/32	1	1	5/32	2	3	
35G18	G	3/8 - 1	2.35	2.159	18	3	.168	1 1/32	1	1	5/32	2	3	
35G19	G	3/8 - 1	2.47	2.278	19	3	.168	1 1/4	1	1	29/32	1 1/16	2	3
35H19	H	3/8 - 1 1/2	2.47	2.278	19	3	.168	1 1/2	1 1/4	1	1 1/16	2 1/2	5	
35H20	H	3/8 - 1 1/2	2.59	2.397	20	3	.168	1 1/2	1 1/4	1 1 5/32	1 1/16	2 1/2	5	
35H21	H	3/8 - 1 1/2	2.70	2.516	21	3	.168	1 1/2	1 1/4	1 5/32	1 1/16	2 1/2	6	
35H22	H	3/8 - 1 1/2	2.83	2.635	22	3	.168	1 1/2	1 1/4	1 5/32	1 1/16	2 1/2	7	
35H23	H	3/8 - 1 1/2	2.95	2.754	23	3	.168	1 1/2	1 1/4	1 5/32	1 1/16	2 1/2	7	
35H24	H	3/8 - 1 1/2	3.05	2.873	24	3	.168	1 1/2	1 1/4	1 5/32	1 1/16	2 1/2	8	
35H25	H	3/8 - 1 1/2	3.19	2.992	25	3	.168	1 1/2	1 1/4	1 5/32	1 1/16	2 1/2	8	
35H26	H	3/8 - 1 1/2	3.31	3.111	26	3	.168	1 1/2	1 1/4	1 5/32	1 1/16	2 1/2	8	
35H28	H	3/8 - 1 1/2	3.55	3.349	28	3	.168	1 1/2	1 1/4	1 5/32	1 1/16	2 1/2	9	
35H30	H	3/8 - 1 1/2	3.79	3.588	30	3	.168	1 1/2	1 1/4	1 5/32	1 1/16	2 1/2	9	
35H32	H	3/8 - 1 1/2	4.03	3.826	32	3	.168	1 1/2	1 1/4	1 5/32	1 1/16	2 1/2	9	
35H35	H	3/8 - 1 1/2	4.39	4.183	35	3	.168	1 1/2	1 1/4	1 5/32	1 1/16	2 1/2	10	
35H36	H	3/8 - 1 1/2	4.51	4.303	36	3	.168	1 1/2	1 1/4	1 5/32	1 1/16	2 1/2	10	
35H40	H	3/8 - 1 1/2	4.99	4.780	40	3	.168	1 1/2	1 1/4	1 5/32	1 1/16	2 1/2	12	
35H42	H	3/8 - 1 1/2	5.23	5.018	42	3	.168	1 1/2	1 1/4	1 5/32	1 1/16	2 1/2	12	
35H45	H	3/8 - 1 1/2	5.59	5.379	45	3	.168	1 1/2	1 1/4	1 5/32	1 1/16	2 1/2	14	
35H48	H	3/8 - 1 1/2	5.95	5.734	48	3	.168	1 1/2	1 1/4	1 5/32	1 1/16	2 1/2	15	
35H54	H	3/8 - 1 1/2	6.66	6.449	54	3	.168	1 1/2	1 1/4	1 5/32	1 1/16	2 1/2	18	
35H60	H	3/8 - 1 1/2	7.38	7.165	60	3	.168	1 1/2	1 1/4	1 5/32	1 1/16	2 1/2	23	
35H70	H	3/8 - 1 1/2	8.58	8.358	70	3	.168	1 1/2	1 1/4	1 5/32	1 1/16	2 1/2	28	
35H72	H	3/8 - 1 1/2	8.81	8.597	72	3	.168	1 1/2	1 1/4	1 5/32	1 1/16	2 1/2	3.0	
35H80	H	3/8 - 1 1/2	9.77	9.552	80	3	.168	1 1/2	1 1/4	1 5/32	1 1/16	2 1/2	3.8	
35H84	H	3/8 - 1 1/2	10.25	10.029	84	3	.168	1 1/2	1 1/4	1 5/32	1 1/16	2 1/2	4.0	
35H96	H	3/8 - 1 1/2	11.68	11.461	96	3	.168	1 1/2	1 1/4	1 5/32	1 1/16	2 1/2	5.3	
35H112	H	3/8 - 1 1/2	13.59	13.371	112	3	.168	1 1/2	1 1/4	1 5/32	1 1/16	2 1/2	6.8	

◇Pitch 1/2" ◇Roller Φ 0.306" ◇Tooth width B1 0.227"

## Single-Split Taper Bushed

Number	Bushing	Bore Range	De	Dp	Type	No. Teeth	B1	OL	L	P	H	Wt. Less (Bushing)
41G12	G	3/8 - 1"	2.17"	1.932"	3	12	.227"	1 7/16"	1 1/16"	1 1/32"	2"	3
41G14	G	3/8 - 1"	2.49	2.247	3	14	.227	1 7/16	1 1/16	1 1/32	2	4
41H15	H	3/8 - 1 1/2	2.65	2.405	3	15	.227	1 1/2	1 1/4	1 3/32	2 1/2	5
41H16	H	3/8 - 1 1/2	2.80	2.653	3	16	.227	1 1/2	1 1/4	1 3/32	2 1/2	5
41H17	H	3/8 - 1 1/2	2.96	2.721	3	17	.227	1 1/2	1 1/4	1 3/32	2 1/2	6
41H18	H	3/8 - 1 1/2	3.14	2.897	3	18	.227	1 1/2	1 1/4	1 3/32	2 1/2	7
41H19	H	3/8 - 1 1/2	3.30	3.038	3	19	.227	1 1/2	1 1/4	1 3/32	2 1/2	8
41H19	H	3/8 - 1 1/2	3.45	3.196	3	19	.227	1 1/2	1 1/4	1 3/32	2 1/2	8
41H20	H	3/8 - 1 1/2	3.62	3.355	3	20	.227	1 1/2	1 1/4	1 3/32	2 1/2	9
41H21	H	3/8 - 1 1/2	3.75	3.513	3	21	.227	1 1/2	1 1/4	1 3/32	2 1/2	9
41H22	H	3/8 - 1 1/2	3.94	3.672	3	22	.227	1 1/2	1 1/4	1 3/32	2 1/2	10
41H23	H	3/8 - 1 1/2	4.10	3.813	3	23	.227	1 1/2	1 1/4	1 3/32	2 1/2	1.1
41H24	H	3/8 - 1 1/2	4.26	3.989	3	24	.227	1 1/2	1 1/4	1 3/32	2 1/2	1.1
41H25	H	3/8 - 1 1/2	4.42	4.158	3	25	.227	1 1/2	1 1/4	1 3/32	2 1/2	1.1
41H26	H	3/8 - 1 1/2	4.58	4.307	3	26	.227	1 1/2	1 1/4	1 3/32	2 1/2	1.1
41H28	H	3/8 - 1 1/2	4.70	4.466	3	28	.227					

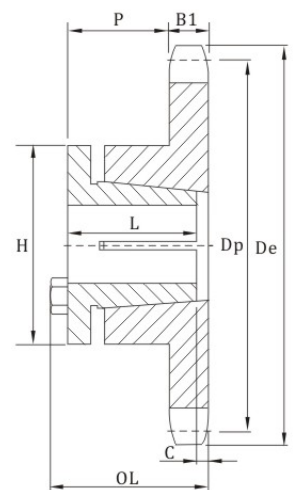
# Sprockets With Split Taper Bushings American Standard Series

No.40

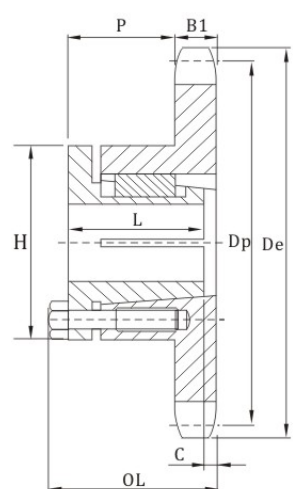
◇ Pitch 1/2" ◇ RollerΦ 0.312" ◇ Tooth width B1 0.284"

## Single-Split Taper Bushed

Number	Bushing	Bore Range	De	Dp	No. Teeth	Type	B1	OL	L	P	C	H	Wt. Less (Bushing)
H40G12	G	3/8 - 1"	2.17"	1.932"	12	3	.284"	1 1/2"	1"	1 1/32"	5/16"	2"	.3
H40G13	G	3/8 - 1"	2.30	2.089	13	3	.284	1 1/2	1	1 1/32	5/16	2	.4
H40G14	G	3/8 - 1"	2.49	2.247	14	3	.284	1 1/2	1	1 1/32	5/16	2	.4
H40H15	H	3/8 - 1 1/2	2.65	2.405	15	3	.284	1 1/2	1 1/4	1 1/8	5/32	2 1/2	.5
H40H16	H	3/8 - 1 1/2	2.80	2.563	16	3	.284	1 1/2	1 1/4	1 1/8	5/32	2 1/2	.6
H40H17	H	3/8 - 1 1/2	2.96	2.721	17	3	.284	1 1/2	1 1/4	1 1/8	5/32	2 1/2	.6
H40H18	H	3/8 - 1 1/2	3.14	2.879	18	3	.284	1 1/2	1 1/4	1 1/8	5/32	2 1/2	.6
H40P18	P1	1/2 - 3/4	3.14	2.879	18	4	.284	2 3/16	1 5/16	1 21/32	0	3	1.4
H40H19	H	3/8 - 1 1/2	3.30	3.038	19	3	.284	1 1/2	1 1/4	1 1/8	5/32	2 1/2	.8
H40P19	P1	1/2 - 3/4	3.30	3.038	19	4	.284	2 3/16	1 5/16	1 21/32	0	3	1.3
H40H20	H	3/8 - 1 1/2	3.45	3.196	20	3	.284	1 1/2	1 1/4	1 1/8	5/32	2 1/2	.9
H40P20	P1	1/2 - 3/4	3.45	3.196	20	4	.284	2 3/16	1 5/16	1 21/32	0	3	.9
H40H21	H	3/8 - 1 1/2	3.62	3.355	21	3	.284	1 1/2	1 1/4	1 1/8	5/32	2 1/2	.9
H40P21	P1	1/2 - 3/4	3.62	3.355	21	4	.284	2 3/16	1 5/16	1 21/32	0	3	1.5
H40H22	H	3/8 - 1 1/2	3.75	3.513	22	3	.284	1 1/2	1 1/4	1 1/8	5/32	2 1/2	1.0
H40P22	P1	1/2 - 3/4	3.75	3.513	22	4	.284	2 3/16	1 5/16	1 21/32	0	3	1.6
H40H23	H	3/8 - 1 1/2	3.94	3.672	23	3	.284	1 1/2	1 1/4	1 1/8	5/32	2 1/2	1.0
H40P23	P1	1/2 - 3/4	3.94	3.672	23	4	.284	2 3/16	1 5/16	1 21/32	0	3	1.7
H40H24	H	3/8 - 1 1/2	4.10	3.831	24	3	.284	1 1/2	1 1/4	1 1/8	5/32	2 1/2	1.1
H40P24	P1	1/2 - 3/4	4.10	3.831	24	4	.284	2 3/16	1 5/16	1 21/32	0	3	1.8
H40H25	H	3/8 - 1 1/2	4.26	3.989	25	3	.284	1 1/2	1 1/4	1 1/8	5/32	2 1/2	1.3
H40P25	P1	1/2 - 3/4	4.26	3.989	25	4	.284	2 3/16	1 5/16	1 21/32	0	3	1.9
H40H26	H	3/8 - 1 1/2	4.42	4.148	26	3	.284	1 1/2	1 1/4	1 1/8	5/32	2 1/2	1.3
H40P26	P1	1/2 - 3/4	4.42	4.148	26	4	.284	2 3/16	1 5/16	1 21/32	0	3	1.9
H40H27	H	3/8 - 1 1/2	4.58	4.307	27	3	.284	1 1/2	1 1/4	1 1/8	5/32	2 1/2	1.4
H40H28	H	3/8 - 1 1/2	4.74	4.466	28	3	.284	1 1/2	1 1/4	1 1/8	5/32	2 1/2	1.4
H40P28	P1	1/2 - 3/4	4.74	4.466	28	4	.284	2 3/16	1 5/16	1 21/32	0	3	2.1
H40P29	P1	1/2 - 3/4	4.90	4.625	29	4	.284	2 3/16	1 5/16	1 21/32	0	3	2.3
H40H30	H	3/8 - 1 1/2	5.06	4.783	30	3	.284	1 1/2	1 1/4	1 1/8	5/32	2 1/2	1.6
H40P30	P1	1/2 - 3/4	5.06	4.783	30	4	.284	2 3/16	1 5/16	1 21/32	0	3	2.3
H40H32	H	3/8 - 1 1/2	5.38	5.101	32	3	.284	1 1/2	1 1/4	1 1/8	5/32	2 1/2	1.8
H40H33	H	3/8 - 1 1/2	5.54	5.260	33	3	.284	1 1/2	1 1/4	1 1/8	5/32	2 1/2	1.9
H40H35	H	3/8 - 1 1/2	5.86	5.578	35	3	.284	1 1/2	1 1/4	1 1/8	5/32	2 1/2	2.1
H40H36	H	3/8 - 1 1/2	6.02	5.737	36	3	.284	1 1/2	1 1/4	1 1/8	5/32	2 1/2	2.3
H40H38	H	3/8 - 1 1/2	6.33	6.055	38	3	.284	1 1/2	1 1/4	1 1/8	5/32	2 1/2	2.6
H40H40	H	3/8 - 1 1/2	6.65	6.373	40	3	.284	1 1/2	1 1/4	1 1/8	5/32	2 1/2	2.8
40G12	G	3/8 - 1"	2.17"	1.932"	12	3	.284	1 1/2"	1"	1 1/32"	5/16"	2"	.3
40G13	G	3/8 - 1"	2.30	2.089	13	3	.284	1 1/2	1	1 1/32	5/16	2	.4
40G14	G	3/8 - 1"	2.49	2.247	14	3	.284	1 1/2	1	1 1/32	5/16	2	.5
40H15	H	3/8 - 1 1/2	2.65	2.405	15	3	.284	1 1/2	1 1/4	1 1/8	5/32	2 1/2	.5
40G16	G	3/8 - 1"	2.80	2.563	16	3	.284	1 1/2	1	1 1/32	5/16	2	.4
40H16	H	3/8 - 1 1/2	2.80	2.563	16	3	.284	1 1/2	1 1/4	1 1/8	5/32	2 1/2	.6
40H17	H	3/8 - 1 1/2	2.96	2.721	17	3	.284	1 1/2	1 1/4	1 1/8	5/32	2 1/2	.6
40H18	H	3/8 - 1 1/2	3.14	2.879	18	3	.284	1 1/2	1 1/4	1 1/8	5/32	2 1/2	.7
40P18	P1	1/2 - 3/4	3.14	2.879	18	4	.284	2 3/16	1 5/16	1 21/32	0	3	1.2
40H19	H	3/8 - 1 1/2	3.30	3.038	19	3	.284	1 1/2	1 1/4	1 1/8	5/32	2 1/2	.8
40P19	P1	1/2 - 3/4	3.30	3.038	19	4	.284	2 3/16	1 5/16	1 21/32	0	3	1.3
40H20	H	3/8 - 1 1/2	3.45	3.196	20	3	.284	1 1/2	1 1/4	1 1/8	5/32	2 1/2	.8
40P20	P1	1/2 - 3/4	3.45	3.196	20	4	.284	2 3/16	1 5/16	1 21/32	0	3	1.3
40H21	H	3/8 - 1 1/2	3.62	3.355	21	3	.284	1 1/2	1 1/4	1 1/8	5/32	2 1/2	.9
40P21	P1	1/2 - 3/4	3.62	3.355	21	4	.284	2 3/16	1 5/16	1 21/32	0	3	1.5
40H22	H	3/8 - 1 1/2	3.75	3.513	22	3	.284	1 1/2	1 1/4	1 1/8	5/32	2 1/2	.9
40P22	P1	1/2 - 3/4	3.75	3.513	22	4	.284	2 3/16	1 5/16	1 21/32	0	3	.6
40H23	H	3/8 - 1 1/2	3.94	3.672	23	3	.284	1 1/2	1 1/4	1 1/8	5/32	2 1/2	1.0
40P23	P1	1/2 - 3/4	3.94	3.672	23	4	.284	2 3/16	1 5/16	1 21/32	0	3	1.7
40H24	H	3/8 - 1 1/2	4.10	3.831	24	3	.284	1 1/2	1 1/4	1 1/8	5/32	2 1/2	1.2
40P24	P1	1/2 - 3/4	4.10	3.831	24	4	.284	2 3/16	1 5/16	1 21/32	0	3	1.8
40H25	H	3/8 - 1 1/2	4.26	3.989	25	3	.284	1 1/2	1 1/4	1 1/8	5/32	2 1/2	1.3
40P25	P1	1/2 - 3/4	4.26	3.989	25	4	.284	2 3/16	1 5/16	1 21/32	0	3	2.0
40H26	H	3/8 - 1 1/2	4.42	4.148	26	3	.284	1 1/2	1 1/4	1 1/8	5/32	2 1/2	1.4
40P26	P1	1/2 - 3/4	4.42	4.148	26	4	.284	2 3/16	1 5/16	1 21/32	0	3	2.0
40H27	H	3/8 - 1 1/2	4.58	4.307	27	3	.284	1 1/2	1 1/4	1 1/8	5/32	2 1/2	1.4
40P27	P1	1/2 - 3/4	4.58	4.307	27	4	.284	2 3/16	1 5/16	1 21/32	0	3	2.1
40H28	H	3/8 - 1 1/2	4.74	4.466	28	3	.284	1 1/2	1 1/4	1 1/8	5/32	2 1/2	1.5
40P28	P1	1/2 - 3/4	4.74	4.466	28	4	.284	2 3/16	1 5/16	1 21/32	0	3	2.2
40P29	P1	1/2 - 3/4	4.90	4.625	29	4	.284	2 3/16	1 5/16	1 21/32	0	3	2.3
40H30	H	3/8 - 1 1/2	5.06	4.783	30	3	.284	1 1/2	1 1/4	1 1/8	5/32	2 1/2	1.6
40P30	P1	1/2 - 3/4	5.06	4.783	30	4	.284	2 3/16	1 5/16	1 21/32	0	3	2.4
40P31	P1	1/2 - 3/4	5.22	4.942	31	4	.284	2 3/16	1 5/16	1 21/32	0	3	2.5
40P32	P1	1/2 - 3/4	5.38	5.101	32	4	.284	2 3/16	1 5/16	1 21/32	0	3	2.6
40P33	P1	1/2 - 3/4	5.54	5.260	33	4	.284	2 3/16	1 5/16	1 21/32	0	3	2.6



TYPE 3



TYPE 4

# Sprockets With Split Taper Bushings American Standard Series

No.40  
No.40-2

◇ Pitch 1/2" ◇ RollerΦ 0.312" ◇ Tooth width B1 0.284"

## Single-Split Taper Bushed

Number	Bushing	Bore Range	De	Dp	No. Teeth	Type	B1	OL	L	P	C	H	Wt. Less (Bushing)
40P34	P1	1/2 - 3/4	5.70"	5.419"	34	4	.284"	2 3/16"	1 5/16"	1 21/32"	0	3"	2.8
40P35	P1	1/2 - 3/4	5.86	5.578	35	4	.284	2 3/16	1 5/16	1 21/32	0	3	2.9
40P36	P1	1/2 - 3/4	6.02	5.737	36	4	.284	2 3/16	1 5/16	1 21/32	0	3	3.1
40P37	P1	1/2 - 3/4	6.18	5.896	37	4	.284	2 3/16	1 5/16	1 21/32	0	3	3.3
40P38	P1	1/2 - 3/4	6.33	6.055	38	4	.284	2 3/16	1 5/16	1 21/32	0	3	3.3
40P40	P1	1/2 - 3/4	6.65	6.373	40	4	.284	2 3/16	1 5/16	1 21/32	0	3	3.5
40P41	P1	1/2 - 3/4	6.81	6.532	41	4	.284	2 3/16	1 5/16	1 21/32	0	3	3.6
40P42	P1	1/2 - 3/4	6.97	6.691	42	4	.284	2 3/16	1 5/16	1 21/32	0	3	3.9
40P44	P1	1/2 - 3/4	7.29	7.009	44	4	.284	2 3/16	1 5/16	1 21/32	0	3	4.0
40P45	P1	1/2 - 3/4	7.45	7.168	45	4	.284	2 3/16	1 5/16	1 21/32	0	3	4.2
40P47	P1	1/2 - 3/4	7.77	7.486	47	4	.284	2 3/16	1 5/16	1 21/32	0	3	4.6
40P48	P1	1/2 - 3/4	7.93	7.645	48	4	.284	2 3/16	1 5/16	1 21/32	0	3	4.8
40P50	P1	1/2 - 3/4	8.25	7.963	50	4	.284	2 3/16	1 5/16	1 21/32	0	3	5.0
40P54	P1	1/2 - 3/4	8.89	8.599	54	4	.284	2 3/16	1 5/16	1 21/32	0	3	5.5
40P56	P1	1/2 - 3/4	9.20	8.917	56	4	.284	2 3/16	1 5/16	1 21/32	0	3	5.9
40P60	P1	1/2 - 3/4	9.84	9.554	60	4	.284	2 3/16	1 5/16	1 21/32	0	3	6.6
40Q60	Q1	3/4 - 2 1/16	9.84	9.554	60	4	.284	2 5/32	2 1/2	2 7/32	0	4 1/8	8.8
40P70	P1	1/2 - 3/4	11.43	11.145	70	4	.						

# Sprockets With Split Taper Bushings American Standard Series

No.40-3

◇ Pitch 1/2"   ◇ Roller Φ 0.312"  
◇ Tooth width B1 0.275"   ◇ Tooth width B2 0.841"   ◇ Tooth width B3 1.407"

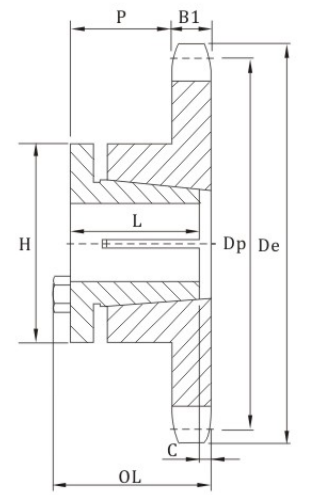
# Sprockets With Split Taper Bushings American Standard Series

No.50

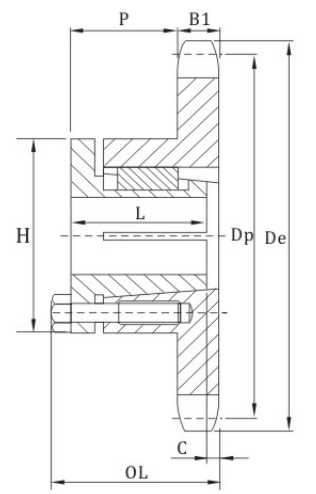
◇ Pitch 5/8"   ◇ Roller Φ 0.400"   ◇ Tooth width B1 0.343"

## Single-Split Taper Bushed

Number	Bushing	Bore Range	De	Dp	No. Teeth	Type	B1	OL	L	P	C	H	Wt. Less (Bushing)
H50G11	G	3/8 - 1"	2.50"	2.219"	11	3	.343"	1 19/32"	1"	1 1/16"	13/32"	2"	.4
H50G12	G	3/8 - 1"	2.70	2.415	12	3	.343	1 19/32	1	1 1/16	13/32	2	.5
H50G13	G	3/8 - 1"	2.91	2.612	13	3	.343	1 1/4	1	2 3/32	1/16	2	.5
H50H13	H	3/8 - 1 1/2	2.91	2.612	13	3	.343	1 21/32	1 1/4	1 1/8	7/32	2 1/2	.6
H50H14	H	3/8 - 1 1/2	3.11	2.809	14	3	.343	1 19/32	1 1/4	1 1/16	5/32	2 1/2	.6
H50H15	H	3/8 - 1 1/2	3.32	3.006	15	3	.343	1 1/2	1 1/4	3 1/32	1/16	2 1/2	.8
H50P15	P1	1/2 - 1 3/4	3.32	3.006	15	4	.343	2 3/16	1 5/16	1 19/32	0	3	1.1
H50H16	H	3/8 - 1 1/2	3.52	3.204	16	3	.343	1 1/2	1 1/4	3 1/32	1/16	2 1/2	.9
H50P16	P1	1/2 - 1 3/4	3.52	3.204	16	4	.343	2 3/16	1 5/16	1 19/32	0	3	1.4
H50H17	H	3/8 - 1 1/2	3.72	3.401	17	3	.343	1 1/2	1 1/4	3 3/32	1/16	2	1.0
H50P17	P1	1/2 - 1 3/4	3.72	3.401	17	4	.343	2 3/16	1 5/16	1 19/32	0	3	1.4
H50H18	H	3/8 - 1 1/2	3.92	3.559	18	3	.343	1 1/2	1 1/4	3 1/32	1/16	2 1/2	1.1
H50P18	P1	1/2 - 1 3/4	3.92	3.559	18	4	.343	2 3/16	1 5/16	1 19/32	0	3	1.8
H50H19	H	3/8 - 1 1/2	4.12	3.797	19	3	.343	1 1/2	1 1/4	3 3/32	1/16	2 1/2	1.3
H50P19	P1	1/2 - 1 3/4	4.12	3.797	19	4	.343	2 3/16	1 5/16	1 19/32	0	3	1.8
H50H20	H	3/8 - 1 1/2	4.32	3.995	20	3	.343	1 1/2	1 1/4	3 1/32	1/16	2 1/2	1.5
H50P20	P1	1/2 - 1 3/4	4.32	3.995	20	4	.343	2 3/16	1 5/16	1 19/32	0	3	2.0
H50H21	H	3/8 - 1 1/2	4.52	4.194	21	3	.343	1 1/2	1 1/4	3 1/32	1/16	2 1/2	1.4
H50P21	P1	1/2 - 1 3/4	4.52	4.194	21	4	.343	2 3/16	1 5/16	1 19/32	0	3	2.1
H50H22	H	3/8 - 1 1/2	4.72	4.392	22	3	.343	1 1/2	1 1/4	3 3/32	1/16	2 1/2	1.5
H50P22	P1	1/2 - 1 3/4	4.72	4.392	22	4	.343	2 3/16	1 5/16	1 19/32	0	3	2.2
H50H23	H	3/8 - 1 1/2	4.92	4.590	23	3	.343	1 1/2	1 1/4	3 1/32	1/16	2 1/2	1.7
H50P23	P1	1/2 - 1 3/4	4.92	4.590	23	4	.343	2 3/16	1 5/16	1 19/32	0	3	2.4
H50Q23	Q1	3/4 - 2 1/16	4.92	4.590	23	4	.343	2 25/32	2 1/2	2 5/32	0	4 1/8	3.2
H50H24	H	3/8 - 1 1/2	5.12	4.788	24	3	.343	1 1/2	1 1/4	3 1/32	1/16	2 1/2	1.8
H50P24	P1	1/2 - 1 3/4	5.12	4.788	24	4	.343	2 3/16	1 5/16	1 19/32	0	3	2.6
H50Q24	Q1	3/4 - 2 1/16	5.12	4.788	24	4	.343	2 25/32	2 1/2	2 5/32	0	4 1/8	3.5
H50H25	H	3/8 - 1 1/2	5.32	4.987	25	3	.343	1 1/2	1 1/4	3 1/32	1/16	2 1/2	1.9
H50P25	P1	1/2 - 1 3/4	5.32	4.987	25	4	.343	2 3/16	1 5/16	1 19/32	0	3	2.7
H50Q25	Q1	3/4 - 2 1/16	5.32	4.987	25	4	.343	2 25/32	2 1/2	2 5/32	0	4 1/8	3.6
H50H26	H	3/8 - 1 1/2	5.52	5.185	26	3	.343	1 1/2	1 1/4	3 3/32	1/16	2 1/2	2.0
H50P26	P1	1/2 - 1 3/4	5.52	5.185	26	4	.343	2 3/16	1 5/16	1 19/32	0	3	2.8
H50Q26	Q1	3/4 - 2 1/16	5.52	5.185	26	4	.343	2 25/32	2 1/2	2 5/32	0	4 1/8	3.7
H50H27	H	3/8 - 1 1/2	5.72	5.384	27	3	.343	1 1/2	1 1/4	3 3/32	1/16	2 1/2	2.2
H50P27	P1	1/2 - 1 3/4	5.72	5.384	27	4	.343	2 3/16	1 5/16	1 19/32	0	3	2.9
H50Q27	Q1	3/4 - 2 1/16	5.72	5.384	27	4	.343	2 25/32	2 1/2	2 5/32	0	4 1/8	3.8
H50H28	H	3/8 - 1 1/2	5.92	5.582	28	3	.343	1 1/2	1 1/4	3 3/32	1/16	2 1/2	2.5
H50P28	P1	1/2 - 1 3/4	5.92	5.582	28	4	.343	2 3/16	1 5/16	1 19/32	0	3	3.0
H50Q28	Q1	3/4 - 2 1/16	5.92	5.582	28	4	.343	2 25/32	2 1/2	2 5/32	0	4 1/8	4.0
H50P29	P1	1/2 - 1 3/4	6.12	5.781	29	4	.343	2 3/16	1 5/16	1 19/32	0	3	3.4
H50H30	Q1	3/8 - 1 1/2	6.32	5.979	30	3	.343	1 1/2	1 1/4	3 3/32	1/16	2 1/2	2.9
H50P30	P1	1/2 - 1 3/4	6.32	5.979	30	4	.343	2 3/16	1 5/16	1 19/32	0	3	3.6
H50Q30	Q1	3/4 - 2 1/16	6.32	5.979	30	4	.343	2 25/32	2 1/2	2 5/32	0	4 1/8	5.6
H50H32	H	3/8 - 1 1/2	6.72	6.376	32	3	.343	1 1/2	1 1/4	3 1/32	1/16	2 1/2	3.2
H50H33	H	3/8 - 1 1/2	6.92	6.575	33	3	.343	1 1/2	1 1/4	3 1/32	1/16	2 1/2	3.4
H50H34	H	3/8 - 1 1/2	7.12	6.774	34	3	.343	1 1/2	1 1/4	3 1/32	1/16	2 1/2	3.7
H50H35	H	3/8 - 1 1/2	7.32	6.972	35	3	.343	1 1/2	1 1/4	3 1/32	1/16	2 1/2	3.8
H50H36	H	3/8 - 1 1/2	7.52	7.171	36	3	.343	1 1/2	1 1/4	3 3/32	1/16	2 1/2	4.0
H50H38	H	3/8 - 1 1/2	7.92	7.569	38	3	.343	1 1/2	1 1/4	3 1/32	1/16	2 1/2	4.4
H50H40	H	3/8 - 1 1/2	8.32	7.966	40	3	.343	1 1/2	1 1/4	3 1/32	1/16	2 1/2	4.8



TYPE 3



TYPE 4

## Triple-Split Taper Bushed

Number	Bushing	Bore Range	De	Dp	No. Teeth	Type	b1	B3	OL	L	P	C	H	Wt. Less (Bushing)
T40P18	P1	1/2 - 1 3/8"	3.14"	2.879"	18	27	.275"	1.407"	3 3/16"	1 15/16"	1 1/8"	1 1/16"	3	1.9
T40P19	P1	1/2 - 1 3/4	3.30	3.038	19	22	.275	1.407	3 1/2	1 5/16	1 1/8	2 7/32	3	1.8
T40P20	P1	1/2 - 1 3/4	3.46	3.196	20	22	.275	1.407	2 11/32	1 5/16	1 7/16	2 5/32	3	2.0
T40P23	P1	1/2 - 1 3/4	3.94	3.672	23	23	.275	1.407	2 9/32	1 5/16	1 1/8	3/32	3	2.3
T40P24	P1	1/2 - 1 3/4	4.10	3.831	24	23	.275	1.407	2 7/32	1 5/16	1 1/8	3/32	3	2.6
T40P25	P1	1/2 - 1 3/4	4.26	3.989	25	23	.275	1.407	2 9/32	1 5/16	1 1/8	3/32	3	3.0
T40P27	P1	1/2 - 1 3/4	4.58	4.307	27	23	.275	1.407	2 9/32	1 5/16	1 1/8	3/32	3	3.3
T40Q30	Q1	3/4 - 2 1/16	5.06	4.783	30	22	.275	1.407	2 25/32	2 1/2	1 3/32	0	4 1/8	4.5
T40Q35	Q1	3/4 - 2 1/16	5.86	5.578	35	22	.275	1.407	2 25/32	2 1/2	1 3/32	0	4 1/8	6.9
T40Q36	Q1	3/4 - 2 1/16	6.02	5.737	36	22	.275	1.407	2 25/32	2 1/2	1 3/32	0	4 1/8	7.6
T40Q42	Q1	3/4 - 2 1/16	6.97	6.691	42	22	.275	1.407	2 25/32	2 1/2	1 3/32	0	4 1/8	11.1
T40Q48	Q1	3/4 - 2 1/16	7.93	7.645	48	22	.275	1.407	2 25/32	2 1/2	1 3/32	0	4 1/8	15.2
T40Q52	Q1	3/4 - 2 1/16	8.57	8.281	52	22	.275	1.407	2 25/32	2 1/2	1 3/32	0	4 1/8	18.7
T40Q54	Q1	3/4 - 2 1/16	8.89	8.599	54	22	.275	1.407	2 25/32	2 1/2	1 3/32	0	4 1/8	19.9
T40Q60	Q1	3/4 - 2 1/16	9.84	9.554	60	22	.275	1.407	2 25/32	2 1/2	1 3/32	0	4 1/8	25.3
T40Q68	Q1	3/4 - 2 1/16	11.12	10.826	68	22	.275	1.407	2 25/32	2 1/2	1 3/32	0	4 1/8	33.5
T40Q72	Q1	3/4 - 2 1/16	11.75	11.463	72	22	.275	1.407	2 25/32	2 1/2	1 3/32	0	4 1/8	37.9
T40Q76	Q1	3/4 - 2 1/16	12.39	12.099	76	22	.275	1.407	2 25/32	2 1/2	1 3/32	0	4 1/8	42.5
T40Q84	Q1	3/4 - 2 1/16	13.66	13.372	84	22	.275	1.407	2 25/32	2 1/2	1 3/32	0	4 1/8	52.4
T40Q95	Q1	3/4 - 2 1/16	15.41	15.122	95	22	.275	1.407	2 25/32	2 1/2	1 3/32	0	4 1/8	67.9
T40Q102	Q1	3/4 - 2 1/16	16.53	16.236	102	22	.275	1.407	2 25/32	2 1/2	1 3/32	0	4 1/8	78.5



AMERICAN STANDARD SERIES

Mr.Sprocket

AMERICAN STANDARD SERIES

Mr.Sprocket

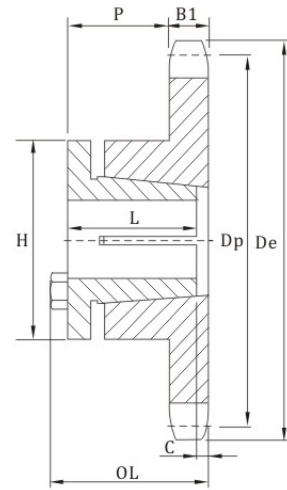
# Sprockets With Split Taper Bushings American Standard Series

No.50

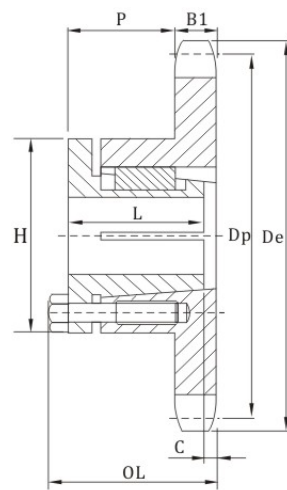
◇ Pitch 5/8" ◇ Roller Φ 0.404" ◇ Tooth width B1 0.343"

## Single-Split Taper Bushed

Number	Bushing	Bore Range	De	Dp	No. Teeth	Type	B1	OL	L	P	C	H	Wt. Less (Bushing)
50G11	G	3/8-1"	2.50"	2.129"	11	3	.343"	1 19/32"	1"	1 1/16"	3/32"	2"	.5
50G12	G	3/8-1"	2.70	2.415	12	3	.343	1 19/32	1	1 1/16	3/32	2	.5
50H13	H	3/8-1 1/2	2.91	2.612	13	3	.343	1 19/32	1 1/4	1 1/16	7/32	2 1/2	.6
50H14	H	3/8-1 1/2	3.11	2.809	14	3	.343	1 19/32	1 1/4	1 1/16	5/32	2 1/2	.6
50H15	H	3/8-1 1/2	3.32	3.006	15	3	.343	1 1/2	1 1/4	1 1/16	5/32	2 1/2	.8
50P15	P1	1/2-1 3/4	3.52	3.006	15	4	.343	2 3/16	1 5/16	1 19/32	3/32	3	1.1
50H16	H	3/8-1 1/2	3.32	3.204	16	3	.343	1 1/2	1 1/4	1 1/16	5/32	2 1/2	.9
50P16	P1	1/2-1 3/4	3.52	3.204	16	4	.343	2 3/16	1 5/16	1 19/32	3/32	3	1.3
50H17	H	3/8-1 1/2	3.72	3.401	17	3	.343	1 1/2	1 1/4	1 1/16	5/32	2 1/2	1.0
50P17	P1	1/2-1 3/4	3.72	3.401	17	4	.343	2 3/16	1 5/16	1 19/32	3/32	3	1.4
50H18	H	3/8-1 1/2	3.92	3.599	18	3	.343	1 1/2	1 1/4	1 1/16	5/32	2 1/2	1.0
50P18	P1	1/2-1 3/4	3.92	3.599	18	4	.343	2 3/16	1 5/16	1 19/32	3/32	3	1.6
50H19	H	3/8-1 1/2	4.12	3.797	19	3	.343	1 1/2	1 1/4	1 19/32	1/16	2 1/2	1.1
50P19	P1	1/2-1 3/4	4.12	3.797	19	4	.343	2 3/16	1 5/16	1 19/32	0	3	1.8
50H20	H	3/8-1 1/2	4.32	3.995	20	3	.343	1 1/2	1 1/4	1 19/32	1/16	2 1/2	1.5
50P20	P1	1/2-1 3/4	4.32	3.995	20	4	.343	2 3/16	1 5/16	1 19/32	0	3	2.0
50P21	P1	1/2-1 3/4	4.52	4.194	21	4	.343	2 3/16	1 5/16	1 19/32	0	3	2.1
50P22	P1	1/2-1 3/4	4.70	4.392	22	4	.343	2 3/16	1 5/16	1 19/32	0	3	2.3
50P23	P1	1/2-1 3/4	4.92	4.599	23	4	.343	2 3/16	1 5/16	1 19/32	0	3	2.4
50Q23	Q1	3/4-2 1/16	4.92	4.599	23	4	.343	2 5/16	2 1/2	2 5/16	0	4 1/8	3.4
50P24	P1	1/2-1 3/4	5.12	4.788	24	4	.343	2 3/16	1 5/16	1 19/32	0	3	2.5
50Q24	Q1	3/4-2 1/16	5.12	4.788	24	4	.343	2 5/16	2 1/2	2 5/16	0	4 1/8	3.4
50P25	P1	1/2-1 3/4	5.32	4.987	25	4	.343	2 3/16	1 5/16	1 19/32	0	3	2.6
50Q25	Q1	3/4-2 1/16	5.32	4.987	25	4	.343	2 5/16	2 1/2	2 5/16	0	4 1/8	3.7
50P26	P1	1/2-1 3/4	5.52	5.185	26	4	.343	2 3/16	1 5/16	1 19/32	0	3	2.9
50Q26	Q1	3/4-2 1/16	5.52	5.185	26	4	.343	2 5/16	2 1/2	2 5/16	0	4 1/8	3.8
50P27	P1	1/2-1 3/4	5.72	5.384	27	4	.343	2 3/16	1 5/16	1 19/32	0	3	3.0
50Q27	Q1	3/4-2 1/16	5.72	5.384	27	4	.343	2 5/16	2 1/2	2 5/16	0	4 1/8	3.9
50Q28	P1	1/2-1 3/4	5.92	5.582	28	4	.343	2 3/16	1 5/16	1 19/32	0	3	3.2
50Q28	Q1	3/4-2 1/16	5.92	5.582	28	4	.343	2 5/16	2 1/2	2 5/16	0	4 1/8	4.0
50P29	P1	1/2-1 3/4	6.12	5.781	29	4	.343	2 3/16	1 5/16	1 19/32	0	3	3.3
50P30	P1	1/2-1 3/4	6.32	5.979	30	4	.343	2 3/16	1 5/16	1 19/32	0	3	3.5
50Q30	Q1	3/4-2 1/16	6.32	5.979	30	4	.343	2 5/16	2 1/2	2 5/16	0	4 1/8	5.6
50P31	P1	1/2-1 3/4	6.52	6.178	31	4	.343	2 3/16	1 5/16	1 19/32	0	3	3.6
50P32	P1	1/2-1 3/4	6.72	6.376	32	4	.343	2 3/16	1 5/16	1 19/32	0	3	3.9
50Q32	Q1	3/4-2 1/16	6.72	6.376	32	4	.343	2 5/16	2 1/2	2 5/16	0	4 1/8	6.1
50P33	P1	1/2-1 3/4	6.92	6.575	33	4	.343	2 3/16	1 5/16	1 19/32	0	3	4.1
50P34	P1	1/2-1 3/4	7.12	6.774	34	4	.343	2 3/16	1 5/16	1 19/32	0	3	4.3
50P35	P1	1/2-1 3/4	7.32	6.972	35	4	.343	2 3/16	1 5/16	1 19/32	0	3	4.3
50Q35	Q1	3/4-2 1/16	7.32	6.972	35	4	.343	2 5/16	2 1/2	2 5/16	0	4 1/8	6.8
50P36	P1	1/2-1 3/4	7.52	7.171	36	4	.343	2 3/16	1 5/16	1 19/32	0	3	4.8
50Q36	Q1	3/4-2 1/16	7.52	7.171	36	4	.343	2 5/16	2 1/2	2 5/16	0	4 1/8	6.8
50Q37	Q1	3/4-2 1/16	7.72	7.370	37	4	.343	2 5/16	2 1/2	2 5/16	0	4 1/8	7.0
50Q38	Q1	3/4-2 1/16	7.92	7.569	38	4	.343	2 5/16	2 1/2	2 5/16	0	4 1/8	7.4
50Q39	Q1	3/4-2 1/16	8.12	7.767	39	4	.343	2 5/16	2 1/2	2 5/16	0	4 1/8	7.6
50Q40	Q1	3/4-2 1/16	8.32	7.966	40	4	.343	2 5/16	2 1/2	2 5/16	0	4 1/8	8.0
50Q41	Q1	3/4-2 1/16	8.52	8.165	41	4	.343	2 5/16	2 1/2	2 5/16	0	4 1/8	8.2
50Q42	Q1	3/4-2 1/16	8.72	8.363	42	4	.343	2 5/16	2 1/2	2 5/16	0	4 1/8	8.3
50Q44	Q1	3/4-2 1/16	9.11	8.761	44	4	.343	2 5/16	2 1/2	2 5/16	0	4 1/8	8.6
50Q45	Q1	3/4-2 1/16	9.31	8.960	45	4	.343	2 5/16	2 1/2	2 5/16	0	4 1/8	9.0
50Q47	Q1	3/4-2 1/16	9.71	9.357	47	4	.343	2 5/16	2 1/2	2 5/16	0	4 1/8	9.3
50Q48	Q1	3/4-2 1/16	9.91	9.556	48	4	.343	2 5/16	2 1/2	2 5/16	0	4 1/8	9.6
50Q50	Q1	3/4-2 1/16	10.31	9.954	50	4	.343	2 5/16	2 1/2	2 5/16	0	4 1/8	9.8
50Q54	Q1	3/4-2 1/16	11.11	10.749	54	4	.343	2 5/16	2 1/2	2 5/16	0	4 1/8	11.3
50Q56	Q1	3/4-2 1/16	11.50	11.147	56	4	.343	2 5/16	2 1/2	2 5/16	0	4 1/8	12.3
50Q60	Q1	3/4-2 1/16	12.30	11.942	60	4	.343	2 5/16	2 1/2	2 5/16	0	4 1/8	13.3
50Q70	Q1	3/4-2 1/16	14.29	13.931	70	4	.343	2 5/16	2 1/2	2 5/16	0	4 1/8	16.9
50Q72	Q1	3/4-2 1/16	14.69	14.329	72	4	.343	2 5/16	2 1/2	2 5/16	0	4 1/8	18.1
50Q80	Q1	3/4-2 1/16	16.28	15.920	80	4	.343	2 5/16	2 1/2	2 5/16	0	4 1/8	21.1
50Q84	Q1	3/4-2 1/16	17.08	16.715	84	4	.343	2 5/16	2 1/2	2 5/16	0	4 1/8	24.3
50Q96	Q1	3/4-2 1/16	19.47	19.102	96	4	.343	2 5/16	2 1/2	2 5/16	0	4 1/8	29.8
50Q112	Q1	3/4-2 1/16	22.65	22.285	112	4	.343	2 5/16	2 1/2	2 5/16	0	4 1/8	39.3



TYPE 3



TYPE 4

# Sprockets With Split Taper Bushings American Standard Series

No.50-2  
No.50-3

◇ Pitch 5/8" ◇ Roller Φ 0.400"  
◇ Tooth width b1 0.332" ◇ Tooth width B2 1.045"

## Double-Split Taper Bushed

Number	Bushing	Bore Range	De	Dp	No. Teeth	Type	b1	B2	OL	L	P	C	H	Wt. Less (Bushing)
D50H14	H	3/8-1 1/2	3.11"	2.809"	14	11	.332"	1.045"	2 5/16"	1 1/4"	1 3/8"	7/8"	2 1/2"	1.2
D50P15	P1	1/2-1 3/4	3.32	3.006	15	16	.332	1.045	3 7/16	1 5/16	1 13/16	1 1/4	3	2.0
D50P16	P1	1/2-1 3/4	3.52	3.204	16	12	.332	1.045	2 11/16	1 5/16	1 13/16	1 1/2	3	1.6
D50P17	P1	1/2-1 3/4	3.72	3.401	17	12	.332	1.045	2 11/16	1 5/16	1 13/16	1 1/2	3	2.1
D50P18	P1	1/2-1 3/4	3.92	3.599	18	12	.332	1.045	2 11/16	1 5/16	1 13/16	1 1/2	3	2.5
D50P19	P1	1/2-1 3/4	4.12	3.797	19	12	.332	1.045	2 3/16	1 5/16	2 5/16	0	3	2.0
D50P20	P1	1/2-1 3/4	4.32	3.995	20	12	.332	1.045	2 3/16	1 5/16	2 5/16	0	3	2.5
D50P21	P1	1/2-1 3/4	4.52	4.194	21	12	.332	1.045	2 3/16	1 5/16	2 5/16	0	3	2.8
D50P22	P1	1/2-1 3/4	4.72	4.392	22	12	.332	1.045	2 3/16	1 5/16	2 5/16	0	3	3.2
D50P23	P1	1/2-1 3/4	4.92	4.590	23	12	.332	1.045	2 3/16	1 5/16	2 5/16	0	3	3.6
D50Q24	Q1	3/4-2 1/16	5.12	4.788	24	12	.332	1.045	2 5/16	2 1/2	1 5/16	0	4 1/8	4.0
D50Q25	Q1	3/4-2 1/16	5.32	4.987	25	12	.332	1.045	2 5/16	2 1/2	1 5/16	0	4 1/8	4.5
D50Q26	Q1	3/4-2 1/16	5.52	5.185	26	12	.332	1.045	2 5/16	2 1/2	1 5/16	0	4 1/8	5.3
D50Q27	Q1	3/4-2 1/16	5.72	5.384	27	12	.332	1.045	2 5/16	2 1/2	1 5/16	0	4 1/8	5.9
D50Q28	Q1	3/4-2 1/16	5.92	5.582	28	12	.332	1.045	2 5/16	2 1/2	1 5/16	0	4 1/8	6.3
D50Q30	Q1	3/4-2 1/16	6.32	5.979	30	12	.332	1.045	2 5/16	2 1/2	1 5/16	0	4 1/8	7.5
D50Q32	Q1	3/4-2 1/16	6.72	6.376	32	12	.332	1.045	2 5/16	2 1/2	1 5/16	0	4 1/8	8.5
D50Q35	Q1	3/4-2 1/16	7.32	6.972	35	12	.332	1.045	2 5/16	2 1/2	1 5/16	0	4 1/8	10.4
D50Q36	Q1	3/4-2 1/16	7.52	7.171	36	12	.332	1.045	2 5/16	2 1/2	1 5/16	0	4 1/8	11.0
D50Q40	Q1	3/4-2 1/16	8.32	7.966	40	12	.332	1.045	2 5/16	2 1/2	1 5/16	0	4 1/8	13.6
D50Q42	Q1	3/4-2 1/16	8.72	8.363	42	12	.332	1.045	2 5/16	2 1/2	1 5/16	0	4 1/8	15.0
D50Q45	Q1	3/4-2 1/16	9.31	8.960	45	12	.332	1.045	2 5/16	2 1/2	1 5/16	0	4 1/8	17.5
D50Q48	Q1	3/4-2 1/16	9.91	9.556	48	12	.332	1						

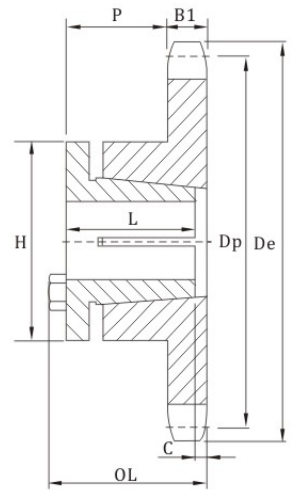


# Sprockets With Split Taper Bushings

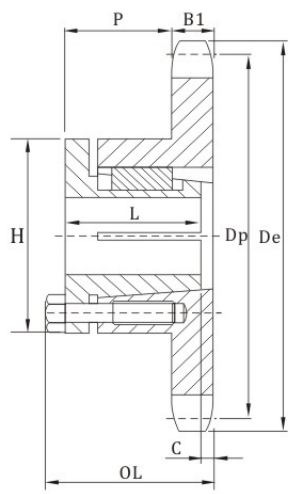
## American Standard Series

No.60

◇ Pitch 3/4" ◇ Roller Φ 0.468" ◇ Tooth width B1 0.459"



TYPE 3



TYPE 4



### Single-Split Taper Bushed

Number	Bushing	Bore Range	De	Dp	No. Teeth	Type	B1	OL	L	P	C	H	Wt Less (Bushing)
H60G10	G	3/8 - 1"	2.76"	2.427"	10	3	.459"	1 3/4"	1"	1 3/32"	3/16"	2"	.6
H60H11	H	3/8 - 1 1/2	2.96	2.662	11	3	.459	1 13/16	1 1/4	1 5/32	3/8	2 1/2	.7
H60H12	H	3/8 - 1 1/2	3.25	2.898	12	3	.459	1 3/4	1 1/4	1 3/32	3/16	2 1/2	.8
H60H13	H	3/8 - 1 1/2	3.45	3.134	13	3	.459	1 1/2	1 1/4	27/32	1/16	2 1/2	.8
H60P13	P1	1/2 - 3/4	3.45	3.134	13	4	.459	2 3/16	1 15/16	1 15/32	0	3	1.1
H60H14	H	3/8 - 1 1/2	3.74	3.371	14	3	.459	1 1/2	1 1/4	27/32	1/16	2 1/2	1.0
H60P14	P1	1/2 - 3/4	3.74	3.371	14	4	.459	2 3/16	1 15/16	1 15/32	0	3	1.2
H60H15	H	3/8 - 1 1/2	3.98	3.607	15	3	.459	1 1/2	1 1/4	27/32	1/16	2 1/2	1.2
H60P15	P1	1/2 - 3/4	3.98	3.607	15	4	.459	2 3/16	1 15/16	1 15/32	1	3	1.6
H60P16	P1	1/2 - 3/4	4.22	3.844	16	4	.459	2 3/16	1 15/16	1 15/32	0	3	2.0
H60P17	P1	1/2 - 3/4	4.46	4.082	17	4	.459	2 3/16	1 15/16	1 15/32	0	3	2.2
H60P18	P1	1/2 - 3/4	4.70	4.319	18	4	.459	2 3/16	1 15/16	1 15/32	0	3	2.4
H60P19	P1	1/2 - 3/4	4.95	4.557	19	4	.459	2 3/16	1 15/16	1 15/32	0	3	2.5
H60P20	P1	1/2 - 3/4	5.19	4.794	20	4	.459	2 3/16	1 15/16	1 15/32	0	3	3.0
H60Q20	Q1	3/4 - 2 1/16	5.19	4.794	20	4	.459	2 25/32	2 1/2	2 1/2	0	4 1/8	3.5
H60P21	P1	1/2 - 3/4	5.43	5.032	21	4	.459	2 3/16	1 15/16	1 15/32	0	3	3.0
H60Q21	Q1	3/4 - 2 1/16	5.43	5.032	21	4	.459	2 25/32	2 1/2	2 1/2	0	4 1/8	3.8
H60P22	P1	1/2 - 3/4	5.67	5.270	22	4	.459	2 3/16	1 15/16	1 15/32	0	3	3.3
H60Q22	Q1	3/4 - 2 1/16	5.67	5.270	22	4	.459	2 25/32	2 1/2	2 1/2	0	4 1/8	4.1
H60P23	P1	1/2 - 3/4	5.91	5.508	23	4	.459	2 3/16	1 15/16	1 15/32	0	3	3.5
H60Q23	Q1	3/4 - 2 1/16	5.91	5.508	23	4	.459	2 25/32	2 1/2	2 1/2	0	4 1/8	4.3
H60P24	P1	1/2 - 3/4	6.15	5.746	24	4	.459	2 3/16	1 15/16	1 15/32	0	3	3.9
H60Q24	Q1	3/4 - 2 1/16	6.15	5.746	24	4	.459	2 25/32	2 1/2	2 1/2	0	4 1/8	4.5
H60P25	P1	1/2 - 3/4	6.39	5.984	25	4	.459	2 3/16	1 15/16	1 15/32	0	3	4.3
H60Q25	Q1	3/4 - 2 1/16	6.39	5.984	25	4	.459	2 25/32	2 1/2	2 1/2	0	4 1/8	6.0
H60P26	P1	1/2 - 3/4	6.63	6.222	26	4	.459	2 3/16	1 15/16	1 15/32	0	3	4.3
H60Q26	Q1	3/4 - 2 1/16	6.63	6.222	26	4	.459	2 25/32	2 1/2	2 1/2	0	4 1/8	6.4
H60P27	P1	1/2 - 3/4	6.87	6.460	27	4	.459	2 3/16	1 15/16	1 15/32	0	3	4.6
H60Q27	Q1	3/4 - 2 1/16	6.87	6.460	27	4	.459	2 25/32	2 1/2	2 1/2	0	4 1/8	6.6
H60P28	P1	1/2 - 3/4	7.11	6.699	28	4	.459	2 3/16	1 15/16	1 15/32	0	3	5.0
H60Q28	Q1	3/4 - 2 1/16	7.11	6.699	28	4	.459	2 25/32	2 1/2	2 1/2	0	4 1/8	6.9
H60Q29	Q1	3/4 - 2 1/16	7.35	6.937	29	4	.459	2 25/32	2 1/2	2 1/2	0	4 1/8	7.3
H60P30	P1	1/2 - 3/4	7.59	7.175	30	4	.459	2 3/16	1 15/16	1 15/32	0	3	5.6
H60Q30	Q1	3/4 - 2 1/16	7.59	7.175	30	4	.459	2 25/32	2 1/2	2 1/2	0	4 1/8	7.7
H60Q31	Q1	3/4 - 2 1/16	7.83	7.413	31	4	.459	2 25/32	2 1/2	2 1/2	0	4 1/8	7.8
H60Q32	Q1	3/4 - 2 1/16	8.07	7.652	32	4	.459	2 25/32	2 1/2	2 1/2	0	4 1/8	8.3
H60Q33	Q1	3/4 - 2 1/16	8.30	7.890	33	4	.459	2 25/32	2 1/2	2 1/2	0	4 1/8	8.7
H60Q34	Q1	3/4 - 2 1/16	8.54	8.129	34	4	.459	2 25/32	2 1/2	2 1/2	0	4 1/8	9.1
H60Q35	Q1	3/4 - 2 1/16	8.78	8.367	35	4	.459	2 25/32	2 1/2	2 1/2	0	4 1/8	9.3
H60Q36	Q1	3/4 - 2 1/16	9.02	8.605	36	4	.459	2 25/32	2 1/2	2 1/2	0	4 1/8	9.9
H60Q37	Q1	3/4 - 2 1/16	9.26	8.844	37	4	.459	2 25/32	2 1/2	2 1/2	0	4 1/8	10.3
H60Q38	Q1	3/4 - 2 1/16	9.50	9.082	38	4	.459	2 25/32	2 1/2	2 1/2	0	4 1/8	10.6
H60Q39	Q1	3/4 - 2 1/16	9.74	9.321	39	4	.459	2 25/32	2 1/2	2 1/2	0	4 1/8	11.1
H60Q40	Q1	3/4 - 2 1/16	9.98	9.559	40	4	.459	2 25/32	2 1/2	2 1/2	0	4 1/8	11.6
H60Q41	Q1	3/4 - 2 1/16	10.22	9.798	41	4	.459	2 25/32	2 1/2	2 1/2	0	4 1/8	11.9
H60Q42	Q1	3/4 - 2 1/16	10.46	10.036	42	4	.459	2 25/32	2 1/2	2 1/2	0	4 1/8	12.6
H60Q44	Q1	3/4 - 2 1/16	10.94	10.513	44	4	.459	2 25/32	2 1/2	2 1/2	0	4 1/8	13.4
H60Q45	Q1	3/4 - 2 1/16	11.18	10.752	45	4	.459	2 25/32	2 1/2	2 1/2	0	4 1/8	13.9
H60Q47	Q1	3/4 - 2 1/16	11.65	11.229	47	4	.459	2 25/32	2 1/2	2 1/2	0	4 1/8	16.3
H60Q48	Q1	3/4 - 2 1/16	11.89	11.467	48	4	.459	2 25/32	2 1/2	2 1/2	0	4 1/8	16.4
H60Q50	Q1	3/4 - 2 1/16	12.37	11.945	50	4	.459	2 25/32	2 1/2	2 1/2	0	4 1/8	16.9
H60Q54	Q1	3/4 - 2 1/16	13.33	12.899	54	4	.459	2 25/32	2 1/2	2 1/2	0	4 1/8	19.6
H60Q56	Q1	3/4 - 2 1/16	13.81	13.376	56	4	.459	2 25/32	2 1/2	2 1/2	0	4 1/8	20.3
H60Q60	Q1	3/4 - 2 1/16	14.73	14.331	60	4	.459	2 25/32	2 1/2	2 1/2	0	4 1/8	22.9
H60Q70	Q1	3/4 - 2 1/16	17.12	16.717	70	4	.459	2 25/32	2 1/2	2 1/2	0	4 1/8	30.9
H60R70	R1	1 1/8 - 3 3/4	17.12	16.717	70	4	.459	3 3/32	2 7/8	2 13/32	0	5 3/8	31.8
H60Q72	Q1	3/4 - 2 1/16	17.63	17.194	72	4	.459	2 25/32	2 1/2	2 1/2	0	4 1/8	31.9
H60R72	R1	1 1/8 - 3 3/4	17.63	17.194	72	4	.459	3 3/32	2 7/8	2 13/32	0	5 3/8	34.1
H60Q80	Q1	3/4 - 2 1/16	19.54	19.103	80	4	.459	2 25/32	2 1/2	2 1/2	0	4 1/8	39.1
H60R80	R1	1 1/8 - 3 3/4	19.54	19.103	80	4	.459	3 3/32	2 7/8	2 13/32	0	5 3/8	41.5
H60Q84	Q1	3/4 - 2 1/16	20.49	20.058	84	4	.459	2 25/32	2 1/2	2 1/2	0	4 1/8	41.6
H60R84	R1	1 1/8 - 3 3/4	20.49	20.058	84	4	.459	3 3/32	2 7/8	2 13/32	0	5 3/8	44.8
H60Q96	Q1	3/4 - 2 1/16	23.36	22.922	96	4	.459	2 25/32	2 1/2	2 1/2	0	4 1/8	54.0
H60R96	R1	1 1/8 - 3 3/4	23.36	22.922	96	4	.459	3 3/32	2 7/8	2 13/32	0	5 3/8	56.0
H60Q112	Q1	3/4 - 2 1/16	27.18	26.742	112	4	.459	2 25/32	2 1/2	2 1/2	0	4 1/8	73.0
H60R112	R1	1 1/8 - 3 3/4	27.18	26.742	112	4	.459	3 3/32	2 7/8	2 13/32	0	5 3/8	74.5

# Sprockets With Split Taper Bushings

## American Standard Series

No.60

◇ Pitch 3/4" ◇ Roller Φ 0.468" ◇ Tooth width B1 0.459"

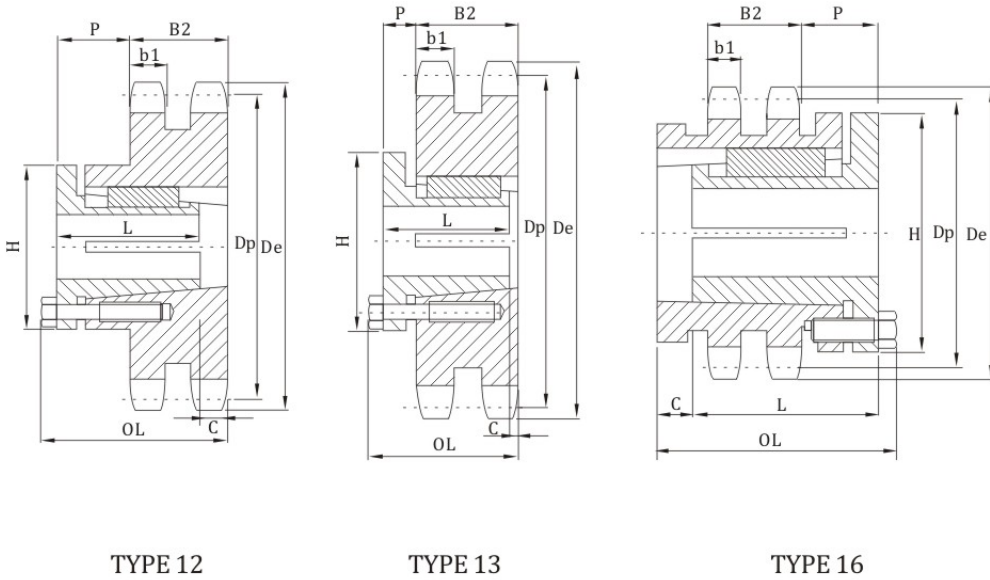
### Single-Split Taper Bushed

Number	Bushing	Bore Range	De	Dp	No. Teeth	Type	B1	OL	L	P	C	H	Wt Less (Bushing)
60G10	G	3/8 - 1"	2.76"	2.427"	10	3	.459"	1 3/4"	1"	1 3/32"	3/16"	2"	.6
60H11	H	3/8 - 1 1/2	2.96	2.662	11	3	.459	1 13/16	1 1/4	1 5/32	3/8	2 1/2	.7
60H12	H	3/8 - 1 1/2	3.25	2.898	12	3	.459	1 3/4	1 1/4	1 3/32	3/16	2 1/2	.8
60H13	H	3/8 - 1 1/2	3.45	3.134	13	3	.459	1 1/2	1 1/4	27/32	1/16	2 1/2	.8
60P13	P1	1/2 - 3/4	3.45	3.134	13	4	.459	2 3/16	1 15/16	1 15/32	0	3	1.1
60H14	H	3/8 - 1 1/2	3.74	3.371	14	3	.459	1 1/2	1 1/4	27/32	1/16	2 1/2	1.0
60P14	P1	1/2 - 3/4	3.74	3.371	14	4	.459	2 3/16	1 15/16	1 15/32	0	3	1.2
60H15	H	3/8 - 1 1/2	3.98	3.607	15	3	.459	1 1/2	1 1/4	27/32	1/16	2 1/2	1.2
60P15	P1	1/2 - 3/4	3.98	3.607	15	4	.459	2 3/16	1 15/16	1 15/32	1	3	1.6
60P16	P1	1/2 - 3/4	4.22	3.844	16	4	.459	2 3/16	1 15/16	1 15/32	0	3	2.0
60P17	P1	1/2 - 3/4	4.46	4.082	17	4	.459	2 3/16	1 15/16	1 15/32	0	3	2.2
60P18	P1	1/2 - 3/4	4.70	4.319	18	4	.459	2 3/16	1 15/16	1 15/32	0	3	2.4
60P19	P1	1/2 - 3/4	4.95	4.557	19	4	.459	2 3/16	1 15/16	1 15/32	0	3	2.5
60P20	P1	1/2 - 3/4	5.19	4.794	20	4	.459	2 3/16	1 15/16	1 15/32	0	3	3.0
60Q20	Q1	3/4 - 2 1/16	5.19	4.794	20	4	.459	2 25/32	2 1/2	2 1/2	0	4 1/8	3.5
60P21	P1	1/2 - 3/4	5.43	5.032	21	4	.459	2 3/16	1 15/16	1 15/32	0	3	3.0
60Q21	Q1	3/4 - 2 1/16	5.43	5.032	21	4	.459	2 25/32	2 1/2	2 1/2	0	4 1/8	3.8
60P22	P1	1/2 - 3/4	5.67	5.270	22	4	.459	2 3/16	1 15/16	1 15/32	0	3	3.3
60Q22	Q1	3/4 - 2 1/16	5.67	5.270	22	4	.459	2 25/32	2 1/2	2 1/2	0	4 1/8	4.1
60P23	P1	1/2 - 3/4	5.91	5.508	23	4	.459	2 3/16	1 15/16	1 15/32			

# Sprockets With Split Taper Bushings American Standard Series

No.60-2

◇ Pitch 3/4" ◇ Roller Φ 0.468" ◇ Tooth width b1 0.444" ◇ Tooth width B2 1.341"



## Double-Split Taper Bushed

Number	Bushing	Bore Range	De	Dp	No. Teeth	Type	b1	B2	OL	L	P	C	H	Wt. Less (Bushing)
D60P13	P1	1/2 - 3/4"	3.45"	3.134"	13	16	.444"	1.341"	3 13/16"	1 1/16"	1 1/32"	1 5/8"	3"	2.5
D60P14	P1	1/2 - 3/4"	3.74	3.371	14	12	.444	1.341	3	1 1/16	1 1/32	1 1/16	3	2.3
D60P15	P1	1/2 - 3/4"	3.98	3.607	15	12	.444	1.341	3	1 1/16	1 1/32	1 1/16	3	2.7
D60P16	P1	1/2 - 3/4"	4.22	3.844	16	13	.444	1.341	2 7/32	1 1/16	5/8	1/32	3	2.4
D60P17	P1	1/2 - 3/4"	4.46	4.082	17	13	.444	1.341	2 7/32	1 1/16	5/8	1/32	3	2.8
D60P18	P1	1/2 - 3/4"	4.70	4.319	18	13	.444	1.341	2 7/32	1 1/16	5/8	1/32	3	3.4
D60P19	P1	1/2 - 3/4"	4.95	4.557	19	13	.444	1.341	2 7/32	1 1/16	5/8	1/32	3	4.0
D60P20	P1	1/2 - 3/4"	5.19	4.794	20	13	.444	1.341	2 7/32	1 1/16	5/8	1/32	3	4.7
D60Q21	Q1	3/4 - 2 1/16	5.43	5.032	21	12	.444	1.341	2 25/32	2 1/2	1 1/32	0	4 1/8	4.8
D60Q22	Q1	3/4 - 2 1/16	5.67	5.270	22	12	.444	1.341	2 25/32	2 1/2	1 1/32	0	4 1/8	5.6
D60Q23	Q1	3/4 - 2 1/16	5.91	5.508	23	12	.444	1.341	2 25/32	2 1/2	1 1/32	0	4 1/8	6.3
D60Q24	Q1	3/4 - 2 1/16	6.15	5.746	24	12	.444	1.341	2 25/32	2 1/2	1 1/32	0	4 1/8	7.0
D60Q25	Q1	3/4 - 2 1/16	6.39	5.984	25	12	.444	1.341	2 25/32	2 1/2	1 1/32	0	4 1/8	7.9
D60Q26	Q1	3/4 - 2 1/16	6.63	6.222	26	12	.444	1.341	2 25/32	2 1/2	1 1/32	0	4 1/8	8.8
D60Q27	Q1	3/4 - 2 1/16	6.87	6.460	27	12	.444	1.341	2 25/32	2 1/2	1 1/32	0	4 1/8	9.2
D60Q28	Q1	3/4 - 2 1/16	7.11	6.699	28	12	.444	1.341	2 25/32	2 1/2	1 1/32	0	4 1/8	10.5
D60Q30	Q1	3/4 - 2 1/16	7.59	7.175	30	12	.444	1.341	2 25/32	2 1/2	1 1/32	0	4 1/8	12.3
D60Q32	Q1	3/4 - 2 1/16	8.07	7.652	32	12	.444	1.341	2 25/32	2 1/2	1 1/32	0	4 1/8	14.3
D60Q35	Q1	3/4 - 2 1/16	8.78	8.367	35	12	.444	1.341	2 25/32	2 1/2	1 1/32	0	4 1/8	17.7
D60Q36	Q1	3/4 - 2 1/16	9.02	8.605	36	12	.444	1.341	2 25/32	2 1/2	1 1/32	0	4 1/8	18.4
D60Q40	Q1	3/4 - 2 1/16	9.98	9.559	40	12	.444	1.341	2 25/32	2 1/2	1 1/32	0	4 1/8	23.9
D60Q42	Q1	3/4 - 2 1/16	10.46	10.036	42	12	.444	1.341	2 25/32	2 1/2	1 1/32	0	4 1/8	26.3
D60R42	R1	1 1/8 - 3 3/4	10.46	10.036	42	12	.444	1.341	3 5/32	2 7/8	1 17/32	0	5 1/8	25.7
D60R45	R1	1 1/8 - 3 3/4	11.18	10.752	45	12	.444	1.341	3 5/32	2 7/8	1 17/32	0	5 1/8	30.2
D60R48	R1	1 1/8 - 3 3/4	11.89	11.467	48	12	.444	1.341	3 5/32	2 7/8	1 17/32	0	5 1/8	35.1
D60R52	R1	1 1/8 - 3 3/4	12.85	12.422	52	12	.444	1.341	3 5/32	2 7/8	1 17/32	0	5 1/8	41.8
D60R54	R1	1 1/8 - 3 3/4	13.33	12.899	54	12	.444	1.341	3 5/32	2 7/8	1 17/32	0	5 1/8	45.1
D60R60	R1	1 1/8 - 3 3/4	14.76	14.331	60	12	.444	1.341	3 5/32	2 7/8	1 17/32	0	5 1/8	54.8
D60R68	R1	1 1/8 - 3 3/4	16.67	16.240	68	12	.444	1.341	3 5/32	2 7/8	1 17/32	0	5 1/8	73.8
D60R72	R1	1 1/8 - 3 3/4	17.63	17.194	72	12	.444	1.341	3 5/32	2 7/8	1 17/32	0	5 1/8	81.8
D60R76	R1	1 1/8 - 3 3/4	18.58	18.149	76	12	.444	1.341	3 5/32	2 7/8	1 17/32	0	5 1/8	93.0
D60R84	R1	1 1/8 - 3 3/4	20.49	20.058	84	12	.444	1.341	3 5/32	2 7/8	1 17/32	0	5 1/8	111.0
D60R95	R1	1 1/8 - 3 3/4	23.12	22.683	95	12	.444	1.341	3 5/32	2 7/8	1 17/32	0	5 1/8	148.0
D60R96	R1	1 1/8 - 3 3/4	23.36	22.922	96	12	.444	1.341	3 5/32	2 7/8	1 17/32	0	5 1/8	155.0

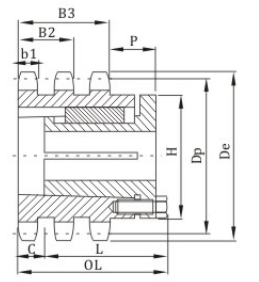
# Sprockets With Split Taper Bushings American Standard Series

No.60-3  
No.80

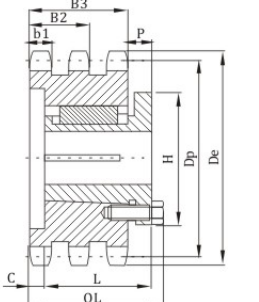
◇ Pitch 3/4" ◇ Roller Φ 0.468" ◇ Tooth width b1 0.444" ◇ Tooth width B2 1.341" ◇ Tooth width B3 2.238"

## Triple-Split Taper Bushed

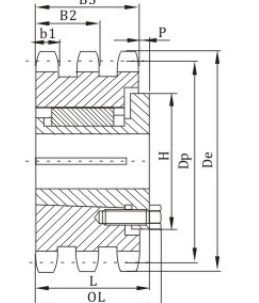
Number	Bushing	Bore Range	De	Dp	No. Teeth	Type	b1	B3	OL	L	P	C	H	Wt. Less (Bushing)
T60P13	P2	3/4 - 1 1/4"	3.45"	3.134"	13	27	.444"	2.238"	4 23/32"	2 15/16"	1 13/32"	1 17/32"	3"	3.3
T60P14	P2	3/4 - 1 1/4"	3.74	3.371	14	22	.444	2.238	3 29/32	2 15/16	1 13/32	1 23/32	3	3.3
T60P15	P2	3/4 - 1 1/4"	3.98	3.607	15	22	.444	2.238	3 29/32	2 15/16	1 13/32	1 23/32	3	4.0
T60P16	P1	1/2 - 3/4"	4.22	3.844	16	24	.444	2.238	3 1/8	1 15/16	5/8	1 5/16	3	3.4
T60Q17	Q1	3/4 - 2 1/16	4.46	4.082	17	27	.444	2.238	5	3 1/2	1 21/32	1 31/32	4 1/8	4.6
T60Q18	Q1	3/4 - 2 1/16	4.70	4.319	18	22	.444	2.238	4 7/16	3 1/2	1 21/32	1 31/32	4 1/8	5.0
T60Q19	Q1	3/4 - 2 1/16	4.95	4.557	19	22	.444	2.238	4 7/16	3 1/2	1 21/32	1 31/32	4 1/8	5.9
T60Q20	Q1	3/4 - 2 1/16	5.19	4.794	20	22	.444	2.238	4 7/16	3 1/2	1 21/32	1 31/32	4 1/8	7.0
T60Q21	Q1	3/4 - 2 1/16	5.43	5.032	21	24	.444	2.238	3 1/4	2 1/2	3/4	1 5/8	4 1/8	5.7
T60Q22	Q1	3/4 - 2 1/16	5.67	5.270	22	24	.444	2.238	3 1/4	2 1/2	3/4	1 5/8	4 1/8	6.6
T60Q23	Q1	3/4 - 2 1/16	5.91	5.508	23	25	.444	2.238	2 25/32	2 1/2	1/4	0	4 1/8	7.7
T60Q24	Q1	3/4 - 2 1/16	6.15	5.746	24	25	.444	2.238	2 25/32	2 1/2	1/4	0	4 1/8	8.8
T60Q25	Q1	3/4 - 2 1/16	6.39	5.984	25	25	.444	2.238	2 25/32	2 1/2	1/4	0	4 1/8	10.0
T60Q26	Q1	3/4 - 2 1/16	6.63	6.222	26	25	.444	2.238	2 25/32	2 1/2	1/4	0	4 1/8	11.1
T60Q27	Q1	3/4 - 2 1/16	6.87	6.460	27	25	.444	2.238	2 25/32	2 1/2	1/4	0	4 1/8	12.4
T60Q28	Q1	3/4 - 2 1/16	7.11	6.699	28	25	.444	2.238	2 25/32	2 1/2	1/4	0	4 1/8	13.6
T60R30	R1	1 1/8 - 3 3/4	7.59	7.175	30	25	.444	2.238	3 5/32	2 7/8	5/8	0	5 3/8	14.0
T60R32	R1	1 1/8 - 3 3/4	8.07	7.652	32	25	.444	2.238	3 5/32	2 7/8	5/8	0	5 3/8	19.0
T60R35	R1	1 1/8 - 3 3/4	8.78	8.367	35	25	.444	2.238	3 5/32	2 7/8	5/8	0	5 3/8	22.0
T60R36	R1	1 1/8 - 3 3/4	9.02	8.605	36	25	.444	2.238	3 5/32	2 7/8	5/8	0	5 3/8	23.4
T60R40	R1	1 1/8 - 3 3/4	9.98	9.559	40	25	.444	2.238	3 5/32	2 7/8	5/8	0	5 3/8	31.3
T60R42	R1	1 1/8 - 3 3/4	10.46	10.036	42	25	.444	2.238	3 5/32	2 7/8	5/8	0	5 3/8	35.3
T60R52	R1	1 1/8 - 3 3/4	12.85	12.422	52	25	.444	2.238	3 5/32	2 7/8	5/8	0	5 3/8	63.2
T60S68	S1	1 1/8 - 4 1/4	16.67	16.240	68	22	.444	2.238	5 1/8	4 3/8	2 7/8	0	6 3/8	122.0



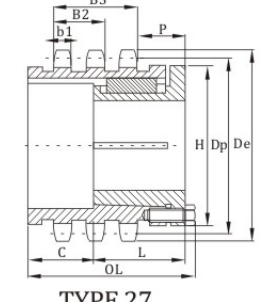
TYPE 22



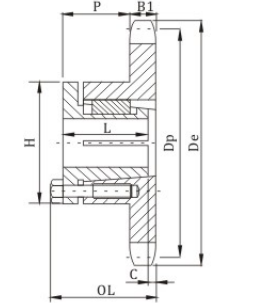
TYPE 24



TYPE 25



TYPE 27



TYPE 4

## No.80

◇ Pitch 1" ◇ Roller Φ 0.625" ◇ Tooth width B1 0.575"

## Single-Split Taper Bushed

Number	Bushing	Bore Range	De	Dp	No. Teeth	Type	B1	OL	L	P	C	H	Wt. Less (Bushing)
H80H11	H	3/8 - 1 1/2"	3.98"	3.550"	11	3	.575"	1 1/8"	1 1/4"	1 3/4"	1 1/8"	2 1/2"	1.3
H80P11	P1	1/2 - 1 3/4	3.98	3.550	11	4	.575	2 11/32	1 15/16	1 17/32	5/32	3	1.6
H80P12	P1	1/2 - 1 3/4	4.33	3.864	12	4	.575	2 3/16	1 5/8	1 1/8	0	3	2.0
H80P13	P1	1/2 - 1 3/4	4.66	4.179	13	4	.575	2 3/16	1 5/8	1 1/8	0	3	2.4
H80P14	P1	1/2 - 1 3/4	4.98	4.494	14	4	.575	2 3/16	1 5/8	1 1/8	0	3	2.6
H80Q14	Q1	3/4 - 2 1/16	4.98	4.494	14	4	.575	2 25/32	2 1/2	1 1/8	0	4 1/8	2.9
H80P15	P1	1/2 - 1 3/4	5.31	4.810	15	4	.575	2 3/16	1 5/8	1 1/8	0	3	3.0
H80Q15	Q1	3/4 - 2 1/16	5.31	4.810	15	4	.575	2 25/32	2 1/2	1 1/8	0	4 1/8	3.4
H80P16	P1	1/2 - 1 3/4	5.63	5.126	16	4	.575	2 3/16	1 5/8	1 1/8	0	3	3.5
H80Q16	Q1	3/4 - 2 1/16	5.63	5.126	16	4	.575	2 25/32	2 1/2	1 1/8	0	4 1/8	4.6
H80P17	P1	1/2 - 1 3/4	5.95	5.442	17	4	.575	2 3/16	1 5/8	1 1/8	0	3	3.8
H80Q17	Q1	3/4 - 2 1/16	5.95	5.442	17	4	.575	2 25/32	2 1/2	1 1/8	0	4 1/8	5.3
H80P18	P1	1/2 - 1 3/4	6.27	5.759	18	4	.575	2 3/16	1 5/8	1 1/8	0	3	4.4
H80Q18	Q1	3/4 - 2 1/16	6.27	5.759	18	4	.575	2 25/32	2 1/2	1 1/8	0	4 1/8	6.0
H80P19	P1	1/2 - 1 3/4	6.59	6.076	19	4	.575	2 3/16	1 5/8	1 1/8	0	3	4.9
H80Q19	Q1	3/4 - 2 1/16	6.59	6.076	19								

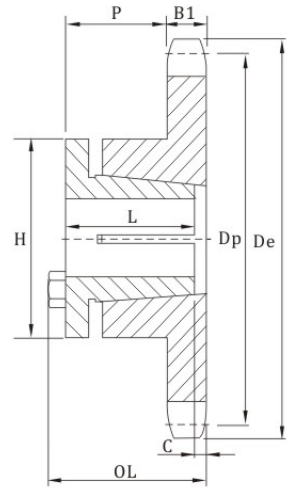
# Sprockets With Split Taper Bushings American Standard Series

## No.80

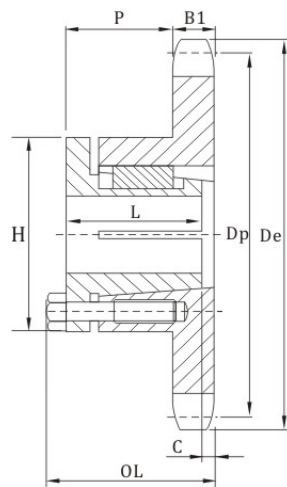
◇ Pitch 1" ◇ Roller Ø 0.625" ◇ Tooth width B1 0.575"

### Single-Split Taper Bushed

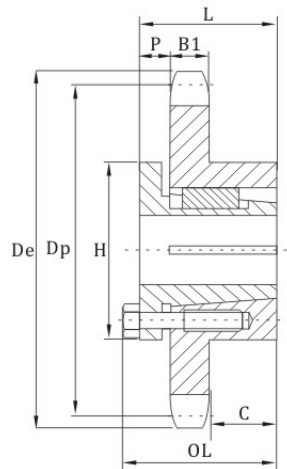
Number	Bushing	Bore Range	De	Dp	No. Teeth	Type	B1	OL	L	P	C	H	Wt. Less (Bushing)
80H10	H	3/8 - 1/2"	3.68"	3.236"	10	3	.575"	2 3/32"	1 1/4"	1 1/4"	2 1/32"	2 1/2"	2.0
80H11	H	3/8 - 1/2"	3.98	3.550	11	3	.575	1 1/2"	1 1/4"	3/4"	1/16"	2 1/2"	1.3
80P11	P1	1/2 - 3/4"	3.98	3.550	11	4	.575	2 11/32"	1 5/16"	1 17/32"	5/32"	3	1.8
80P12	P1	1/2 - 3/4"	4.33	3.864	12	4	.575	2 3/16"	1 5/16"	1 3/8"	0	3	2.0
80P13	P1	1/2 - 3/4"	4.66	4.179	13	4	.575	2 3/16"	1 5/16"	1 3/8"	0	3	2.3
80P14	P1	1/2 - 3/4"	4.98	4.494	14	4	.575	2 3/16"	1 5/16"	1 3/8"	0	3	2.7
80Q14	Q1	3/4 - 2 1/16"	4.98	4.494	14	4	.575	2 25/32"	2 1/2"	1 5/16"	0	4 7/8"	3.0
80P15	P1	1/2 - 3/4"	5.31	4.810	15	4	.575	2 3/16"	1 5/16"	1 3/8"	0	3	3.2
80Q15	Q1	3/4 - 2 1/16"	5.31	4.810	15	4	.575	2 25/32"	2 1/2"	1 5/16"	0	4 7/8"	3.6
80P16	P1	1/2 - 3/4"	5.63	5.126	16	4	.575	2 3/16"	1 5/16"	1 3/8"	0	3	3.6
80Q16	Q1	3/4 - 2 1/16"	5.63	5.126	16	4	.575	2 25/32"	2 1/2"	1 5/16"	0	4 7/8"	4.6
80P17	P1	1/2 - 3/4"	5.95	5.442	17	4	.575	2 3/16"	1 5/16"	1 3/8"	0	3	3.9
80Q17	Q1	3/4 - 2 1/16"	5.95	5.442	17	4	.575	2 25/32"	2 1/2"	1 5/16"	0	4 7/8"	5.4
80P18	P1	1/2 - 3/4"	6.27	5.759	18	4	.575	2 3/16"	1 5/16"	1 3/8"	0	3	4.5
80Q18	Q1	3/4 - 2 1/16"	6.27	5.759	18	4	.575	2 25/32"	2 1/2"	1 5/16"	0	4 7/8"	6.0
80P19	P1	1/2 - 3/4"	6.59	6.079	19	4	.575	2 3/16"	1 5/16"	1 3/8"	0	3	4.8
80Q19	Q1	3/4 - 2 1/16"	6.59	6.079	19	4	.575	2 25/32"	2 1/2"	1 5/16"	0	4 7/8"	6.4
80Q20	Q1	3/4 - 2 1/16"	6.91	6.392	20	4	.575	2 25/32"	2 1/2"	1 5/16"	0	4 7/8"	6.9
80Q21	Q1	3/4 - 2 1/16"	7.24	6.710	21	4	.575	2 25/32"	2 1/2"	1 5/16"	0	4 7/8"	7.4
80Q22	Q1	3/4 - 2 1/16"	7.56	7.027	22	4	.575	2 25/32"	2 1/2"	1 5/16"	0	4 7/8"	8.0
80Q23	Q1	3/4 - 2 1/16"	7.88	7.344	23	4	.575	2 25/32"	2 1/2"	1 5/16"	0	4 7/8"	8.5
80Q24	Q1	3/4 - 2 1/16"	8.20	7.661	24	4	.575	2 25/32"	2 1/2"	1 5/16"	0	4 7/8"	9.3
80Q25	Q1	3/4 - 2 1/16"	8.52	7.979	25	4	.575	2 25/32"	2 1/2"	1 5/16"	0	4 7/8"	9.9
80Q26	Q1	3/4 - 2 1/16"	8.84	8.296	26	4	.575	2 25/32"	2 1/2"	1 5/16"	0	4 7/8"	10.4
80Q27	Q1	3/4 - 2 1/16"	9.16	8.614	27	4	.575	2 25/32"	2 1/2"	1 5/16"	0	4 7/8"	10.9
80Q28	Q1	3/4 - 2 1/16"	9.48	8.931	28	4	.575	2 25/32"	2 1/2"	1 5/16"	0	4 7/8"	11.5
80Q29	Q1	3/4 - 2 1/16"	9.80	9.248	29	4	.575	2 25/32"	2 1/2"	1 5/16"	0	4 7/8"	12.5
80Q30	Q1	3/4 - 2 1/16"	10.11	9.567	30	4	.575	2 25/32"	2 1/2"	1 5/16"	0	4 7/8"	13.0
80Q31	Q1	3/4 - 2 1/16"	10.43	9.885	31	4	.575	2 25/32"	2 1/2"	1 5/16"	0	4 7/8"	13.9
80Q32	Q1	3/4 - 2 1/16"	10.75	10.202	32	4	.575	2 25/32"	2 1/2"	1 5/16"	0	4 7/8"	14.8
80Q33	Q1	3/4 - 2 1/16"	11.07	10.520	33	4	.575	2 25/32"	2 1/2"	1 5/16"	0	4 7/8"	15.5
80Q34	Q1	3/4 - 2 1/16"	11.39	10.838	34	4	.575	2 25/32"	2 1/2"	1 5/16"	0	4 7/8"	16.3
80Q35	Q1	3/4 - 2 1/16"	11.71	11.156	35	4	.575	2 25/32"	2 1/2"	1 5/16"	0	4 7/8"	17.8
80Q36	Q1	3/4 - 2 1/16"	11.98	11.474	36	4	.575	2 25/32"	2 1/2"	1 5/16"	0	4 7/8"	18.1
80R36	R1	1 1/8 - 3 3/4"	11.98	11.474	36	4	.575	3 5/32"	2 7/8"	2 7/16"	0	5 7/8"	19.5
80Q37	Q1	3/4 - 2 1/16"	12.35	11.792	37	4	.575	2 25/32"	2 1/2"	1 5/16"	0	4 7/8"	18.5
80Q38	Q1	3/4 - 2 1/16"	12.67	12.110	38	4	.575	2 25/32"	2 1/2"	1 5/16"	0	4 7/8"	20.0
80R39	R1	1 1/8 - 3 3/4"	12.99	12.428	39	4	.575	3 5/32"	2 7/8"	2 7/16"	0	5 7/8"	22.8
80Q40	Q1	3/4 - 2 1/16"	13.31	12.746	40	4	.575	2 25/32"	2 1/2"	1 5/16"	0	4 7/8"	23.9
80R40	R1	1 1/8 - 3 3/4"	13.31	12.746	40	4	.575	3 5/32"	2 7/8"	2 7/16"	0	5 7/8"	23.4
80R41	R1	1 1/8 - 3 3/4"	13.63	13.064	41	4	.575	3 5/32"	2 7/8"	2 7/16"	0	5 7/8"	23.9
80Q42	Q1	3/4 - 2 1/16"	13.94	13.382	42	4	.575	2 25/32"	2 1/2"	1 5/16"	0	4 7/8"	23.8
80R42	R1	1 1/8 - 3 3/4"	13.94	13.382	42	4	.575	3 5/32"	2 7/8"	2 7/16"	0	5 7/8"	25.4
80R44	R1	1 1/8 - 3 3/4"	14.58	14.018	44	4	.575	3 5/32"	2 7/8"	2 7/16"	0	5 7/8"	27.2
80Q45	Q1	3/4 - 2 1/16"	14.90	14.336	45	4	.575	2 25/32"	2 1/2"	1 5/16"	0	4 7/8"	27.8
80R45	R1	1 1/8 - 3 3/4"	14.90	14.336	45	4	.575	3 5/32"	2 7/8"	2 7/16"	0	5 7/8"	28.5
80R47	R1	1 1/8 - 3 3/4"	15.54	14.972	47	4	.575	3 5/32"	2 7/8"	2 7/16"	0	5 7/8"	31.0
80Q48	Q1	3/4 - 2 1/16"	15.86	15.290	48	4	.575	2 25/32"	2 1/2"	1 5/16"	0	4 7/8"	30.8
80R48	R1	1 1/8 - 3 3/4"	15.86	15.290	48	4	.575	3 5/32"	2 7/8"	2 7/16"	0	5 7/8"	32.3
80R50	R1	1 1/8 - 3 3/4"	16.50	15.926	50	4	.575	3 5/32"	2 7/8"	2 7/16"	0	5 7/8"	35.1
80Q54	Q1	3/4 - 2 1/16"	17.77	17.198	54	4	.575	2 25/32"	2 1/2"	1 5/16"	0	4 7/8"	38.5
80R54	R1	1 1/8 - 3 3/4"	17.77	17.198	54	4	.575	3 5/32"	2 7/8"	2 7/16"	0	5 7/8"	40.8
80R56	R1	1 1/8 - 3 3/4"	18.41	17.835	56	4	.575	3 5/32"	2 7/8"	2 7/16"	0	5 7/8"	44.0
80Q60	Q1	3/4 - 2 1/16"	19.68	19.107	60	4	.575	2 25/32"	2 1/2"	1 5/16"	0	4 7/8"	46.8
80R60	R1	1 1/8 - 3 3/4"	19.68	19.107	60	4	.575	3 5/32"	2 7/8"	2 7/16"	0	5 7/8"	47.3
80Q70	Q1	3/4 - 2 1/16"	22.83	22.289	70	4	.575	2 25/32"	2 1/2"	1 5/16"	0	4 7/8"	60.0
80R70	R1	1 1/8 - 3 3/4"	22.83	22.289	70	4	.575	3 5/32"	2 7/8"	2 7/16"	0	5 7/8"	63.5
80Q72	Q1	3/4 - 2 1/16"	23.46	22.926	72	4	.575	2 25/32"	2 1/2"	1 5/16"	0	4 7/8"	67.5
80R72	R1	1 1/8 - 3 3/4"	23.46	22.926	72	5	.575	3 5/32"	2 7/8"	2 7/16"	1 7/16"	5 7/8"	69.4
80R80	R1	1 1/8 - 3 3/4"	26.01	25.471	80	5	.575	3 5/32"	2 7/8"	2 7/16"	1 7/16"	5 7/8"	85.0
80R84	R1	1 1/8 - 3 3/4"	27.33	26.744	84	5	.575	3 5/32"	2 7/8"	2 7/16"	1 7/16"	5 7/8"	90.0
80R96	R1	1 1/8 - 3 3/4"	31.15	30.563	96	5	.575	3 5/32"	2 7/8"	2 7/16"	1 7/16"	5 7/8"	110.0
80S112	S1	1 1/16 - 4 1/4"	36.24	35.655	112	5	.575	4 3/4"	4 3/8"	1 1/2"	2 3/4"	6 3/8"	165.0



TYPE 3



TYPE 4



TYPE 5

# Sprockets With Split Taper Bushings American Standard Series

## No.80-2

◇ Pitch 1" ◇ Roller Ø 0.625" ◇ Tooth width b1 0.557" ◇ Tooth width B2 1.710"

### Double-Split Taper Bushed

Number	Bushing	Bore Range	De	Dp	No. Teeth	Type	b1	B2	OL	L	P	C	H	Wt. Less (Bushing)
D80P13	P1	1/2 - 3/4"	4.66"	4.179"	13	13	.557"	1.710"	2 1/32"	1 1/16"	5/8"	1 3/32"	3"	3.6
D80Q14	Q2	1 - 2 5/8"	4.98	4.494	14	16	.557	1.710	4 3/8"	3 1/2"	1 3/4"	2 1/32"	4 1/8"	5.4
D80Q15	Q2	1 - 2 5/8"	5.31	4.810	15	12	.557	1.710	3 25/32"	3 1/2"	1 3/4"	-	4 1/8"	5.4
D80Q16	Q1	3/4 - 2 1/16"	5.63	5.126	16	13	.557	1.710	2 25/32"	2 1/2"	3/4"	-	4 1/8"	4.8
D80Q17	Q1	3/4 - 2 1/16"	5.95	5.442	17	13	.557	1.710	2 25/32"	2 1/2"	3/4"	-	4 1/8"	6.0
D80Q18	Q1	3/4 - 2 1/16"	6.27	5.759	18	13	.557	1.710	2 25/32"	2 1/2"	3/4"	-	4 1/8"	7.3
D80Q19	Q1	3/4 - 2 1/16"	6.59	6.076	19	13	.557	1.710	2 25/32"	2 1/2"	3/4"	-	4 1/8"	8.5
D80R20	R1	1 1/8 - 3 3/4"	6.91	6.392	20	12	.557	1.710	3 5/32"	2 7/8"	1 5/32"	-	5 7/8"	7.8
D80R21	R1	1 1/8 - 3 3/4"	7.24	6.710	21	12	.557	1.710	3 5/32"	2 7/8"	1 5/32"	-	5 7/8"	9.4
D80R22	R1	1 1/8 - 3 3/4"	7.56	7.027	22	12	.557	1.710	3 5/32"	2 7/8"	1 5/32"	-	5 7/8"	10.8
D80R23	R1	1 1/8 - 3 3/4"	7.88	7.344	23	12	.557	1.710	3 5/32"	2 7/8"	1 5/32"	-	5 7/8"	12.3
D80R24	R1	1 1/8 - 3 3/4"	8.20	7.661	24	12	.557	1.710	3 5/32"	2 7/8"	1 5/32"	-	5 7/8"	14.1
D80R25	R1	1 1/8 - 3 3/4"	8.52	7.976	25	12	.557	1.710	3 5/32"	2 7/8"	1 5/32"	-	5 7/8"	15.8
D80R26	R1	1 1/8 - 3 3/4"	8.84	8.296	26	12	.557	1.710	3 5/32"	2 7/8"	1 5/32"	-	5 7/8"	18.1
D80R27	R1	1 1/8 - 3 3/4"	9.16	8.614	27	12	.557	1.710	3 5/32"	2 7/8"	1 5/32"	-	5 7/8"	20.4
D80R28	R1	1 1/8 - 3 3/4"	9.48	8.931	28	12	.557	1.710	3 5/32"	2 7/8"	1 5/32"	-	5 7/8"	22.7
D80R30	R1	1 1/8 - 3 3/4"	10.11	9.567	30	12	.557	1.710	3 5/32"	2 7/8"	1 5/32"	-	5 7/8"	26.8
D80R36	R1	1 1/8 - 3 3/4"	12.03	11.474	36	12	.557	1.710	3 5/32"	2 7/8"	1 5/32"	-	5 7/8"	41.6
D80R42	R1	1 1/8 - 3 3/4"	13.94	13.382	42	12	.557	1.710	3 5/32"	2 7/8"	1 5/32"	-	5 7/8"	58.0
D80R45	R1	1 1/8 - 3 3/4"	14.90	14.336	45	12	.557	1.710	3 5/32"	2 7/8"	1 5/32"	-	5 7/8"	68.0
D80R48	R2	1 3/8 - 3 5/8"	15.86	15.290	48	15	.557	1.710						

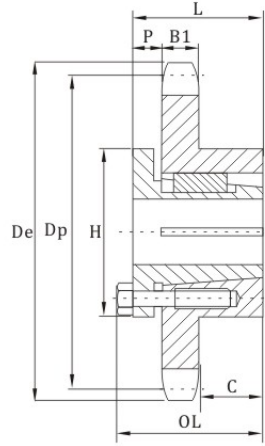
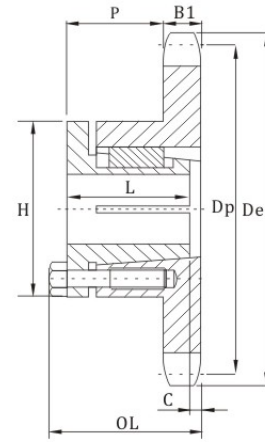
# Sprockets With Split Taper Bushings American Standard Series

No.100

◇ Pitch 1 1/4" ◇ Roller Φ 0.750" ◇ Tooth width B1 0.692"

## Single-Split Taper Bushed

Number	Bushing	Bore Range	De	Dp	No. Teeth	Type	B1	OL	L	P	C	H	Wt. Less (Bushing)
H100P11	P1	1/2 - 3/4"	5.01"	4.437"	11	4	.692"	2 3/16"	1 1/2"	1 1/4"	0"	3"	2.8
H100Q12	Q1	3/4 - 2 1/16"	5.42	4.830	12	4	.692	2 7/32"	2 1/2"	1 7/8"	1/16"	4 7/8"	3.5
H100Q13	Q1	3/4 - 2 1/16"	5.82	5.223	13	4	.692	2 7/32"	2 1/2"	1 7/8"	1/16"	4 7/8"	4.3
H100Q14	Q1	3/4 - 2 1/16"	6.23	5.617	14	4	.692	2 25/32"	2 1/2"	1 13/16"	0	4 7/8"	5.6
H100Q15	Q1	3/4 - 2 1/16"	6.63	6.012	15	4	.692	2 25/32"	2 1/2"	1 13/16"	0	4 7/8"	6.6
H100Q16	Q1	3/4 - 2 1/16"	7.03	6.407	16	4	.692	2 25/32"	2 1/2"	1 13/16"	0	4 7/8"	7.4
H100Q17	Q1	3/4 - 2 1/16"	7.44	6.803	17	4	.692	2 25/32"	2 1/2"	1 13/16"	0	4 7/8"	8.2
H100Q18	Q1	3/4 - 2 1/16"	7.84	7.198	18	4	.692	2 25/32"	2 1/2"	1 13/16"	0	4 7/8"	9.0
H100Q19	Q1	3/4 - 2 1/16"	8.24	7.595	19	4	.692	2 25/32"	2 1/2"	1 13/16"	0	4 7/8"	9.8
H100Q20	Q1	3/4 - 2 1/16"	8.64	7.991	20	4	.692	2 25/32"	2 1/2"	1 13/16"	0	4 7/8"	10.9
H100Q21	Q1	3/4 - 2 1/16"	9.04	8.387	21	4	.692	2 25/32"	2 1/2"	1 13/16"	0	4 7/8"	11.8
H100Q22	Q1	3/4 - 2 1/16"	9.44	8.783	22	4	.692	2 25/32"	2 1/2"	1 13/16"	0	4 7/8"	12.6
H100Q23	Q1	3/4 - 2 1/16"	9.84	9.180	23	4	.692	2 25/32"	2 1/2"	1 13/16"	0	4 7/8"	13.8
H100Q24	Q1	3/4 - 2 1/16"	10.25	9.577	24	4	.692	2 25/32"	2 1/2"	1 13/16"	0	4 7/8"	15.4
H100R24	R1	1 1/8 - 3 3/4"	10.25	9.577	24	4	.692	3 5/8"	2 7/8"	2 3/16"	0	5 7/8"	15.6
H100Q25	Q1	3/4 - 2 1/16"	10.65	9.973	25	4	.692	2 25/32"	2 1/2"	1 13/16"	0	4 7/8"	16.0
H100Q26	Q1	3/4 - 2 1/16"	11.05	10.370	26	4	.692	2 25/32"	2 1/2"	1 13/16"	0	4 7/8"	17.3
H100R26	R1	1 1/8 - 3 3/4"	11.05	10.370	26	4	.692	3 5/8"	2 7/8"	2 3/16"	0	5 7/8"	17.9
H100R27	R1	1 1/8 - 3 3/4"	11.45	10.767	27	4	.692	3 5/8"	2 7/8"	2 3/16"	0	5 7/8"	18.0
H100Q28	Q1	3/4 - 2 1/16"	11.84	11.164	28	4	.692	2 25/32"	2 1/2"	1 13/16"	0	4 7/8"	19.6
H100Q30	Q1	3/4 - 2 1/16"	12.64	11.958	30	4	.692	2 25/32"	2 1/2"	1 13/16"	0	4 7/8"	22.4
100P11	P1	1/2 - 3/4"	5.01	4.437	11	4	.692	2 3/16"	1 1/2"	1 1/4"	0	3"	3.0
100Q12	Q1	3/4 - 2 1/16"	5.42	4.830	12	4	.692	2 7/32"	2 1/2"	1 7/8"	1/16"	4 7/8"	3.5
100Q13	Q1	3/4 - 2 1/16"	5.82	5.223	13	4	.692	2 7/32"	2 1/2"	1 7/8"	1/16"	4 7/8"	4.3
100Q14	Q1	3/4 - 2 1/16"	6.23	5.617	14	4	.692	2 25/32"	2 1/2"	1 13/16"	0	4 7/8"	5.6
100Q15	Q1	3/4 - 2 1/16"	6.63	6.012	15	4	.692	2 25/32"	2 1/2"	1 13/16"	0	4 7/8"	6.5
100Q16	Q1	3/4 - 2 1/16"	7.03	6.407	16	4	.692	2 25/32"	2 1/2"	1 13/16"	0	4 7/8"	7.4
100Q17	Q1	3/4 - 2 1/16"	7.44	6.803	17	4	.692	2 25/32"	2 1/2"	1 13/16"	0	4 7/8"	8.2
100Q18	Q1	3/4 - 2 1/16"	7.84	7.198	18	4	.692	2 25/32"	2 1/2"	1 13/16"	0	4 7/8"	9.0
100Q19	Q1	3/4 - 2 1/16"	8.24	7.595	19	4	.692	2 25/32"	2 1/2"	1 13/16"	0	4 7/8"	9.9
100Q20	Q1	3/4 - 2 1/16"	8.64	7.991	20	4	.692	2 25/32"	2 1/2"	1 13/16"	0	4 7/8"	10.8
100Q21	Q1	3/4 - 2 1/16"	9.04	8.387	21	4	.692	2 25/32"	2 1/2"	1 13/16"	0	4 7/8"	11.7
100R21	R1	1 1/8 - 3 3/4"	9.04	8.387	21	4	.692	3 5/8"	2 7/8"	2 3/16"	0	5 7/8"	13.3
100Q22	Q1	3/4 - 2 1/16"	9.44	8.783	22	4	.692	2 25/32"	2 1/2"	1 13/16"	0	4 7/8"	12.5
100Q23	Q1	3/4 - 2 1/16"	9.84	9.180	23	4	.692	2 25/32"	2 1/2"	1 13/16"	0	4 7/8"	13.9
100Q24	Q1	3/4 - 2 1/16"	10.25	9.577	24	4	.692	2 25/32"	2 1/2"	1 13/16"	0	4 7/8"	15.5
100R24	R1	1 1/8 - 3 3/4"	10.25	9.577	24	4	.692	3 5/8"	2 7/8"	2 3/16"	0	5 7/8"	16.1
100Q25	Q1	3/4 - 2 1/16"	10.65	9.973	25	4	.692	2 25/32"	2 1/2"	1 13/16"	0	4 7/8"	16.2
100R25	R1	1 1/8 - 3 3/4"	10.65	9.973	25	4	.692	3 5/8"	2 7/8"	2 3/16"	0	5 7/8"	17.0
100Q26	Q1	3/4 - 2 1/16"	11.05	10.370	26	4	.692	2 25/32"	2 1/2"	1 13/16"	0	4 7/8"	17.9
100R26	R1	1 1/8 - 3 3/4"	11.05	10.370	26	4	.692	3 5/8"	2 7/8"	2 3/16"	0	5 7/8"	18.5
100Q27	Q1	3/4 - 2 1/16"	11.45	10.767	27	4	.692	2 25/32"	2 1/2"	1 13/16"	0	4 7/8"	18.2
100R27	R1	1 1/8 - 3 3/4"	11.45	10.767	27	4	.692	3 5/8"	2 7/8"	2 3/16"	0	5 7/8"	19.6
100Q28	Q1	3/4 - 2 1/16"	11.84	11.164	28	4	.692	2 25/32"	2 1/2"	1 13/16"	0	4 7/8"	19.9
100R28	R1	1 1/8 - 3 3/4"	11.84	11.164	28	4	.692	3 5/8"	2 7/8"	2 3/16"	0	5 7/8"	21.0
100Q30	Q1	3/4 - 2 1/16"	12.64	11.958	30	4	.692	2 25/32"	2 1/2"	1 13/16"	0	4 7/8"	22.6
100R30	R1	1 1/8 - 3 3/4"	12.64	11.958	30	4	.692	3 5/8"	2 7/8"	2 3/16"	0	5 7/8"	24.5
100R31	R1	1 1/8 - 3 3/4"	13.04	12.356	31	4	.692	3 5/8"	2 7/8"	2 3/16"	0	5 7/8"	25.8
100R32	Q1	3/4 - 2 1/16"	13.44	12.753	32	4	.692	2 25/32"	2 1/2"	1 13/16"	0	4 7/8"	25.3
100Q32	R1	1 1/8 - 3 3/4"	13.44	12.753	32	4	.692	3 5/8"	2 7/8"	2 3/16"	0	5 7/8"	26.5
100R35	Q1	3/4 - 2 1/16"	14.64	13.945	35	4	.692	2 25/32"	2 1/2"	1 13/16"	0	4 7/8"	30.2
100Q35	R1	1 1/8 - 3 3/4"	14.64	13.945	35	4	.692	3 5/8"	2 7/8"	2 3/16"	0	5 7/8"	29.8
100R36	R1	1 1/8 - 3 3/4"	15.04	14.342	36	4	.692	3 5/8"	2 7/8"	2 3/16"	0	5 7/8"	33.0
100R40	R1	1 1/8 - 3 3/4"	16.63	15.932	40	4	.692	3 5/8"	2 7/8"	2 3/16"	0	5 7/8"	40.9
100R42	R1	1 1/8 - 3 3/4"	17.43	16.727	42	4	.692	3 5/8"	2 7/8"	2 3/16"	0	5 7/8"	44.3
100R45	R1	1 1/8 - 3 3/4"	18.63	17.920	45	4	.692	3 5/8"	2 7/8"	2 3/16"	0	5 7/8"	50.5
100R48	R1	1 1/8 - 3 3/4"	19.82	19.112	48	4	.692	3 5/8"	2 7/8"	2 3/16"	0	5 7/8"	57.5
100R54	R1	1 1/8 - 3 3/4"	22.21	21.498	54	5	.692	3 5/8"	2 7/8"	7/8"	1 1/16"	5 7/8"	69.0
100R60	R1	1 1/8 - 3 3/4"	24.55	23.884	60	5	.692	3 5/8"	2 7/8"	7/8"	1 1/16"	5 7/8"	84.0
100R70	R1	1 1/8 - 3 3/4"	28.53	27.862	70	5	.692	3 5/8"	2 7/8"	7/8"	1 1/16"	5 7/8"	104.0
100R72	R1	1 1/8 - 3 3/4"	29.33	28.657	72	5	.692	3 5/8"	2 7/8"	7/8"	1 1/16"	5 7/8"	106.0
100R80	R1	1 1/8 - 3 3/4"	32.52	31.839	80	5	.692	3 5/8"	2 7/8"	7/8"	1 1/16"	5 7/8"	135.0
100R84	R1	1 1/8 - 3 3/4"	34.11	33.430	84	5	.692	3 5/8"	2 7/8"	7/8"	1 1/16"	5 7/8"	138.0



# Sprockets With Split Taper Bushings American Standard Series

No.100-2  
No.120

◇ Pitch 1 1/4" ◇ Roller Φ 0.750"  
◇ Tooth width b1 0.669" ◇ Tooth width B2 2.077"

## Double-Split Taper Bushed

Number	Bushing	Bore Range	De	Dp	No. Teeth	Type	b1	B2	OL	L	P	C	H	Wt. Less (Bushing)
D100P11	P1	1/2 - 3/4"	5.01"	4.437"	11	14	.669"	2.077"	2 3/16"	1 1/2"	1 1/4"	0"	3"	4.7
D100Q12	Q2	1 - 2 3/8"	5.42	4.830	12	12	.669	2.077	4 7/32"	3 1/2"	1 5/8"	7/16"	4 7/8"	5.9
D100Q13	Q2	1 - 2 3/8"	5.82	5.223	13	12	.669	2.077	4 7/32"	3 1/2"	1 5/8"	7/16"	4 7/8"	7.9
D100Q14	Q1	3/4 - 2 1/16"	6.23	5.617	14	14	.669	2.077	3 3/32"	2 1/2"	1 1/2"	7/16"	4 7/8"	7.4
D100Q15	Q1	3/4 - 2 1/16"	6.63	6.012	15	14	.669	2.077	3 3/32"	2 1/2"	1 1/2"	7/16"	4 7/8"	9.1
D100Q16	Q1	3/4 - 2 1/16"	7.03	6.407	16	14	.669	2.077	3 3/32"	2 1/2"	1 1/2"	7/16"	4 7/8"	10.9
D100R17	R1	1 1/8 - 3 3/4"	7.44	6.803	17	14	.669	2.077	3 7/32"	2 7/8"	7/8"	1/16"	5 7/8"	10.0
D100R18	R1	1 1/8 - 3 3/4"	7.84	7.198	18	14	.669	2.077	3 7/32"	2 7/8"	7/8"	1/16"	5 7/8"	12.3
D100R19	R1	1 1/8 - 3 3/4"	8.24	7.595	19	14	.669	2.077	3 7/32"	2 7/8"	7/8"	1/16"	5 7/8"	14.9
D100R20	R1	1 1/8 - 3 3/4"	8.64	7.991	20	14	.669	2.077	3 7/32"	2 7/8"	7/8"	1/16"	5 7/8"	17.4
D100R21	R1	1 1/8 - 3 3/4"	9.04	8.387	21	14	.669	2.077	3 7/32"	2 7/8"	7/8"	1/16"	5 7/8"	20.3
D100R22	R1	1 1/8 - 3 3/4"	9.44	8.783	22	14	.669	2.077	3 7/32"	2 7/8"	7/8"	1/16"	5 7/8"	22.8
D100R24	R1	1 1/8 - 3 3/4"	10.25	9.577	24	14	.669	2.077	3 7/32"	2 7/8"	7/8"	1/16"	5 7/8"	29.5
D100R35	R1	1 1/8 - 3 3/4"	14.64	13.945	35	14	.669	2.077	3 7/32"	2 7/8"	7/8"	1/16"	5 7/8"	76.8
D100S45	S1	1 1/16 - 4 1/4"	18.63	17.920	45	15	.669	2.077	4 3/4"	4 3/4"	1 1/2"	1 1/16"	6 7/8"	138.0
D100S60	S1	1 1/16 - 4 1/4"	24.60	23.884	60	15	.669	2.077	4 3/4"	4 3/4"	1 1/2"	1 1/16"	6 7/8"	251.0
D100S70	S1	1 1/16 - 4 1/4"	28.58	27.862	70	18	.669	2.077	7 7/8"	6 3/4"	2 7/16"	2 1/4"	6 7/8"	358.0
D100S80	S1	1 1/16 - 4 1/4"	32.57	31.839	80	18	.669	2.077	7 7/8"	6 3/4"	2 7/16"	2 1/4"	6 7/8"	431.0

